

Series CC™

Commercial Boiler Available with Tankless Coils



Standard Equipment

- High Efficiency Power Burners
- Front and Rear Observation Port
- Hi-Temp Port Seals
- Insulated Enameled Steel Jacket
- Cast Iron Flue Collector with Integral Damper
- Manual Reset, Limit Control
- Tankless Coils—For Domestic Hot Water

Series CC™ Boiler Features

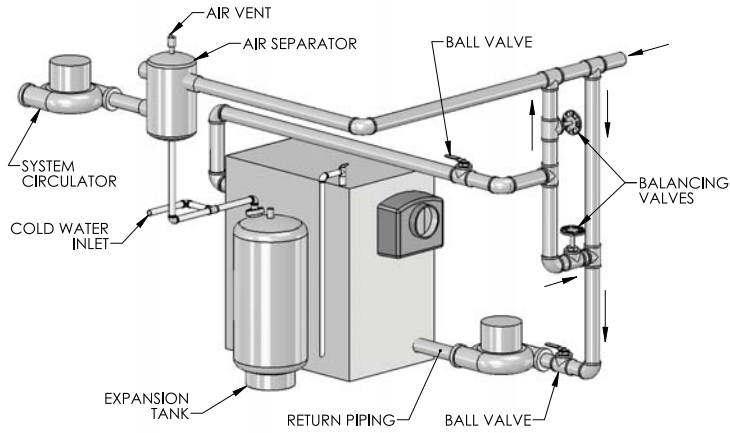
- Side-mounted Tankless 9 GPM Coils – for Quick and Easy Visual Inspection and Service
- Constructed of Rugged, Cast Iron, Wet-Base Sections, Tested for 80 psi
- Oil, Gas or Combination Gas/Oil-fired for Hot Water or Steam Systems
- 10 Sizes, 3–12 Sections—Ideal for Commercial Applications
- Forced Draft Firing for the Highest Possible Efficiencies

Optional Equipment

- Heater Cover Plates
- Assembled Sections
- Packaged
- Low Water Cut-off
- Feeder and Pump Controllers
- Inspection Taps and Brass Plugs (Up to Three per Section)
- Tankless Water Heaters
- 80 psi Pressure Relief Valve (Water Boilers)

All commercial cast iron boilers include a full one-year warranty. A limited, ten-year warranty is provided on the cast iron sections for all commercial hot water and steam boilers. Visit PeerlessBoilers.com for complete details.

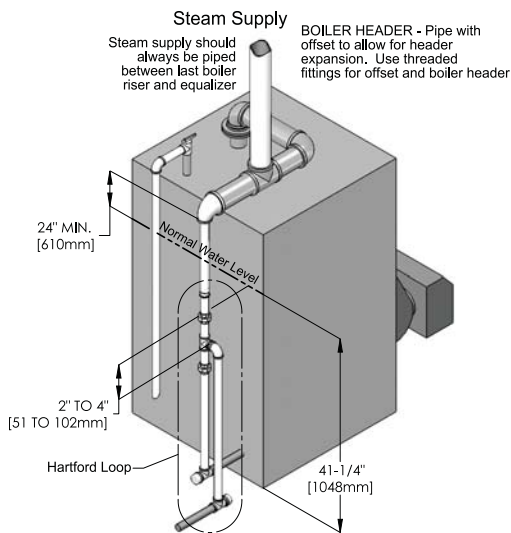
Water Piping



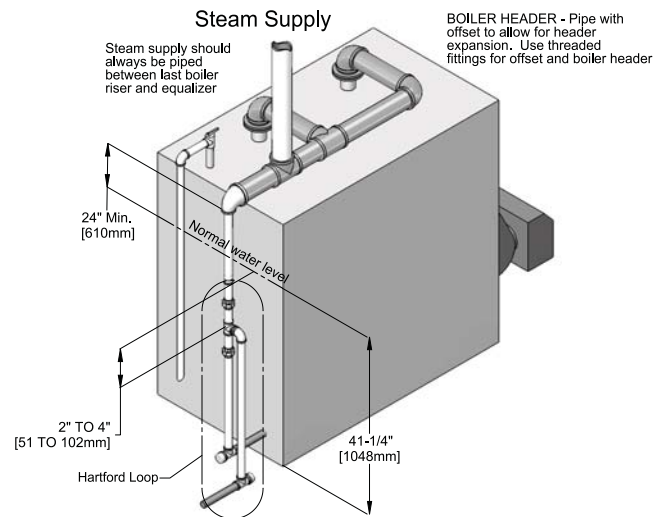
Boiler Piping (Water)

Boiler Model Number	Gross Output (MBH)	Flow Rate @20 F Rise (GPM)	Recommended	
			Supply Size (NPT)	Return Size (NPT)
CC-03	308	31	2"	2"
CC-04	421	42	2"	2"
CC-05	587	59	2 1/2"	2 1/2"
CC-06	762	76	3"	3"
CC-07	924	92	3"	3"
CC-08	1087	109	3"	3"
CC-09	1262	126	3"	3"
CC-10	1424	142	3"	3"
CC-11	1587	159	4"	3"
CC-12	1750	175	4"	3"

Steam Piping



FOR BOILERS WITH ONE RISER



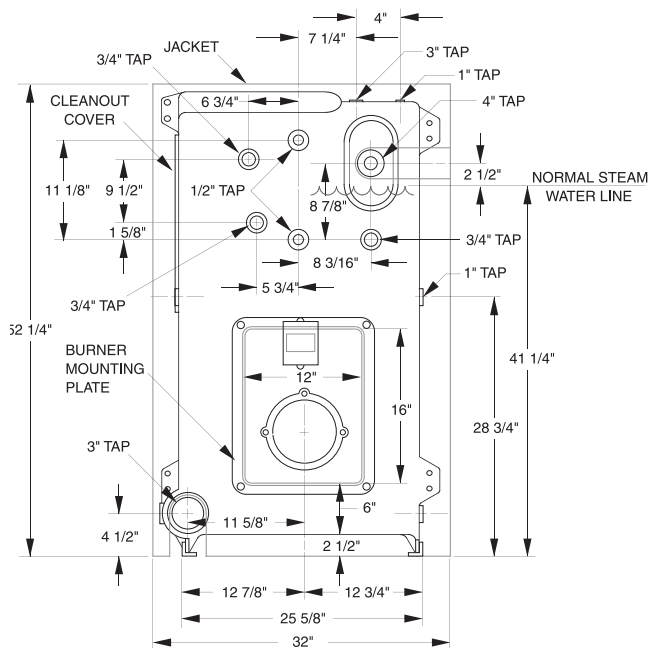
FOR BOILERS WITH TWO RISERS

Boiler Piping (Steam)

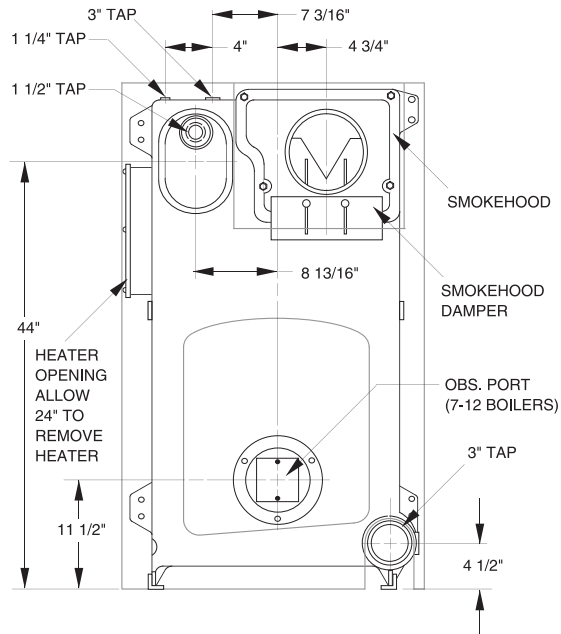
Boiler Model Number	Number of 3" NPT Risers	Header Size (NPT)	Equalizer Size (NPT)
CC-03 to CC-05	1	3"	1-1/2"
CC-06 to CC-10	2	4"	2"
CC-11 & CC-12	2	5"	2-1/2"

Burner Specifications

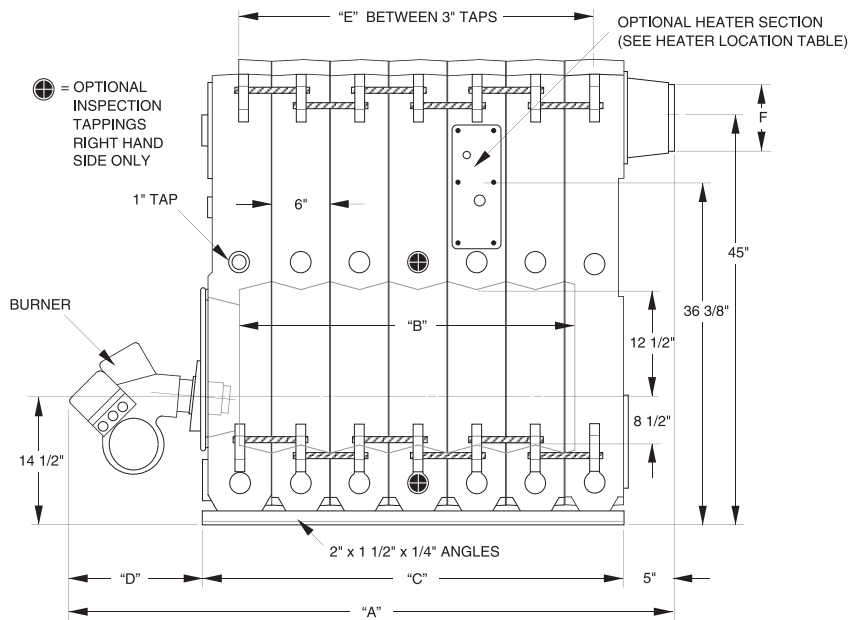
Boiler Model Number	Burners - Light Oil						Burners - Gas		Burners - Gas/Oil	
	Beckett		Carlin		Power Flame		Power Flame		Power Flame	
	Model No.	H.P.	Model No.	H.P.	Model No.	H.P.	Model No.	H.P.	Model No.	H.P.
CC-03	CF500	1/3	201CRD	1/4	-	-	JR15A	1/4	-	-
CC-04	CF500	1/3	301CRD	1/4	CR1-0	1/3	JR15A	1/4	CR1-GO	1/3
CC-05	CF800	1/3	301CRD	1/4	CR1-0	1/3	JR30A	1/3	CR1-GO	1/3
CC-06	CF1400	1/2	702CRD	1/2	CR1-0	1/2	JR30A	1/3	CR1-GO	1/2
CC-07	CF1400	1/2	702CRD	1/2	CR2-0	3/4	JR30A	1/3	CR2-GO	3/4
CC-08	N/A	N/A	702CRD	1/2	CR2-0	3/4	JR50A	1/3	CR2-GO	3/4
CC-09	CF2300	3/4	702CRD	1/2	CR2-0	3/4	JR50A	1/3	CR2-GO	3/4
CC-10	CF2300	3/4	801CRD	3/4	CR2-0	3/4	JR50A	1/2	CR2-GO	3/4
CC-11	CF2500	2	801CRD	3/4	CR2-0	1	CR2G	1	CR2-GO	1
CC-12	CF2500	2	801CRD	3/4	CR2-0	1-1/2	CR2G	1-1/2	CR2-GO	1-1/2



FRONT VIEW



REAR VIEW



SIDE VIEW

Boiler Dimensions

Boiler Model Number	Overall Length - "A" (inch)				Firebox Length "B" (inch)	Boiler Length "C" (inch)	Burner Length "D" (inch)				Riser Tapping Location "E" (inch) ¹	Diameter of Vent Connector "F" (inch)
	Carlin	Power Flame/J	Power Flame/C	Beckett Oil			Carlin	Power Flame/J	Power Flame/C	Beckett Oil		
CC-03	39	44	N/A	31	9	18	16	21	N/A	13	12	7
CC-04	45	50	59	37	15	24	16	21	30	13	18	7
CC-05	51	56	65	43	21	30	16	21	30	13	24	8
CC-06	61	62	71	49	27	36	20	21	30	13	30	8
CC-07	67	68	82	64	33	42	20	21	35	22	36	9
CC-08	73	74	88	N/A	39	48	20	21	35	23	42	10
CC-09	79	80	94	77	45	54	20	21	35	23	48	10
CC-10	87	86	100	83	51	60	22	21	35	23	54	10
CC-11	93	N/A	106	89	57	66	22	N/A	35	23	60	12 ²
CC-12	99	N/A	112	99	63	72	22	N/A	35	27	66	12 ²

Notes: 1. Dimensions between risers are approximate.
 2. Models CC-11 and CC-12 use a 10" (254mm) to 12" (305mm) flue adapter.

