

# Peerless® PUREFIRE® PFW™ Series

High Efficiency, Large Volume Hot Water Supply Boilers



PFW Piping Kit



- 95% Efficiency!—ENERGY STAR® Rated!\*
- Boilers are compliant with the Lead-Free requirements of the Safe Drinking Water Act
- Natural or LP Gas Fired Boiler with Low NO<sub>x</sub> Operation
- Flow Switch — proves water flow through boiler
- Cascade up to 8 Boilers for Larger Volume Applications — No Extra Controls Needed!
- Stainless Steel Heat Exchanger for Long Service Life
- Flexible Vent Options Including Direct Vent and Chimney Liners
- Vents up to 200 Feet Combined
- Parts AND LABOR Warranty for First Year! (See Warranty Statement for details)

\*PFW-200 Model

## Standard Equipment

- > Built-in Condensate Neutralizer System with Float Switch Protection
- > State-of-the-Art Control Board with Advanced Features
- > High Grade Stainless Steel Burner and Heat Exchanger
- > Flow Switch
- > PVC Screened Air Intake and Exhaust

**Have a PureFire® Boiler? Turn it into a PFW™ Series volume hot water boiler with an easy conversion kit! See your local dealer or rep for more information!**

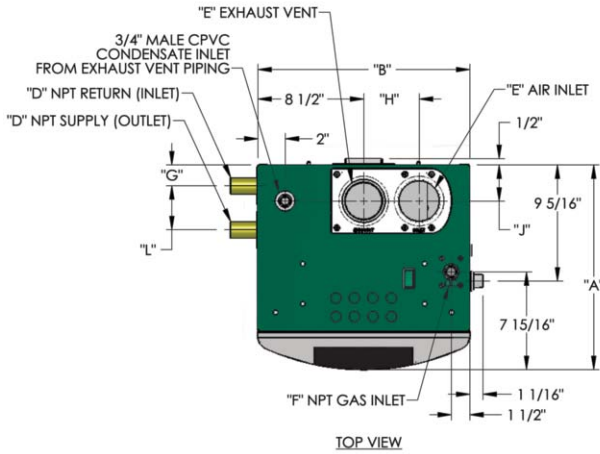
**The PUREFIRE® PFW™ series includes a full one-year warranty. A one-year parts and labor warranty will also be provided (labor coverage starting on day 91) if the boiler is fully registered (online registration). In addition, the heat exchanger is covered by a 12-year limited warranty. Visit PeerlessBoilers.com for complete details.**



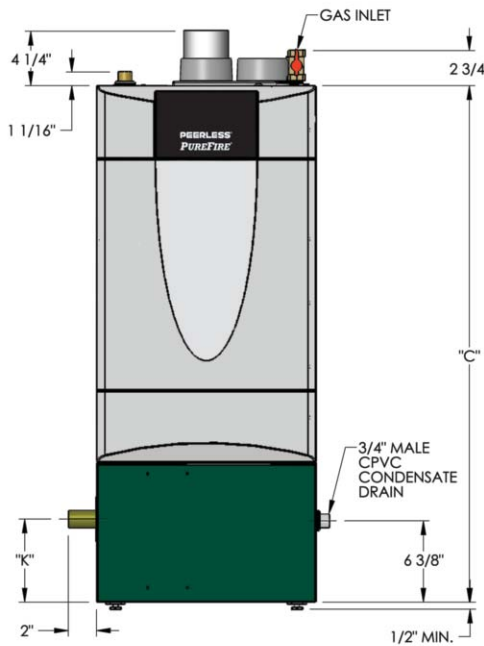
CONTROLS



# Technical Information



TOP VIEW



FRONT VIEW

## Carton Dimensions & Shipping Weights

Boiler Model Number	Length	Width	Height	Approximate Shipping Weight (lbs.)
PFW-200	21"	24"	48"	165
PFW-399	25"	32"	50"	255

## Boiler Ratings

PUREFIRE® Gas Series					AHRP CERTIFIED® www.ahrp.org/certified	
Boiler Model Number	Input, MBH		Heating Capacity <sup>2</sup> , MBH	Net Water Ratings <sup>2</sup>	AFUE <sup>2</sup> , %	
	Min	Max				
PFW-200	42	199	185	161	95.0	
			Gross Output, MBH		Thermal Efficiency, %	
PFW-399	80	399	380	330	95.2	

Note: Consult factory before selecting a boiler for installations having unusual piping and pickup requirements, such as intermittent system operation, extensive piping systems, etc.

- 1 Heating Capacity and Annual Fuel Utilization Efficiency (AFUE) ratings are based on U.S. Government test.
- 2 Net water ratings are based on an allowance of 1.15.

## 1st Hour Capacity (gallons)\*

Boiler Model Number	ΔT	Recovery Capacity (gph)	Tank Storage Capacity (gallons)			
			60	80	119	200
PFW-200	40	549	591	605	633	689
	60	366	408	422	449	506
	80	275	317	331	358	415
	100	220	262	276	303	360
PFW-399	40	1119	1161	1175	1203	1259
	60	746	788	802	830	886
	80	560	602	616	643	700
	100	448	490	504	531	588

\* The capacities shown above are based on a usable tank volume of 70%. Consult the tank manufacturer for the actual usable volume of tanks.

## Dimensions & Connection Sizes

Boiler Model Number	Dimensions										
	A	B	C	D	E	F	G	H	J	K	L
PFW-200	16-9/16"	17-3/16"	40-1/2"	1"	3"	3/4"	1-3/4"	4-1/2"	3"	6-1/2"	3-9/16"
PFW-399	27-15/16"	17-3/16"	40-1/2"	1-1/2"	4"	3/4"	2-3/4"	5-1/4"	3-1/2"	5-3/4"	7-1/16"



PeerlessBoilers.com



Printed on Recycled Paper

PeerlessBoilers.com

CUT-PFW R1 (01/16-3M)  
Printed in U.S.A.  
©2016 PB Heat, LLC. All rights reserved.