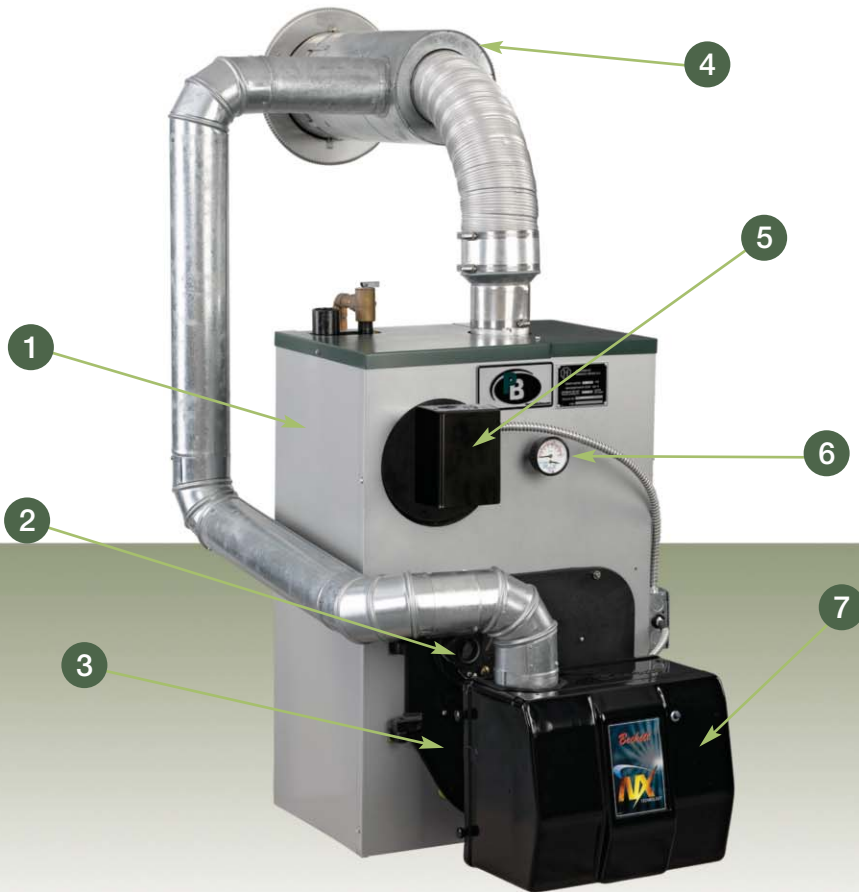


Series WV-DV™ Residential Oil Boilers



- 1 Insulated Jacket
- 2 Flame Observation Port
- 3 Full Plate Swing-Out Door
- 4 Concentric Vent Termination
- 5 Boiler Reset Control with Circulator Relay and Low Water Cut-off
- 6 Temperature-Pressure Gage
- 7 Sealed Combustion, Flame Retention, Burner

Series WV/DV™ Boiler Features

- Up to 86.7% AFUE!
- Residential, Oil-fired Boiler for Hot Water Systems
- Direct Vent, Sealed Combustion Boiler—Fully Packaged and Ready to Install
- High Efficiency, Flame Retention Burners—Choice of Beckett, Carlin or Riello
- Solid State Burner Control with Pre- and Post-Purge
- Cast Iron Sections—Factory Tested and Assembled with Steel Push Nipples
- Large Water Content, Wet Base Section Design
- Deluxe Powder Coated Steel Jacket—Reduces Boiler Heat Loss
- Full Plate Swing Out Door—For Quick and Easy Cleaning

*certain firing rates

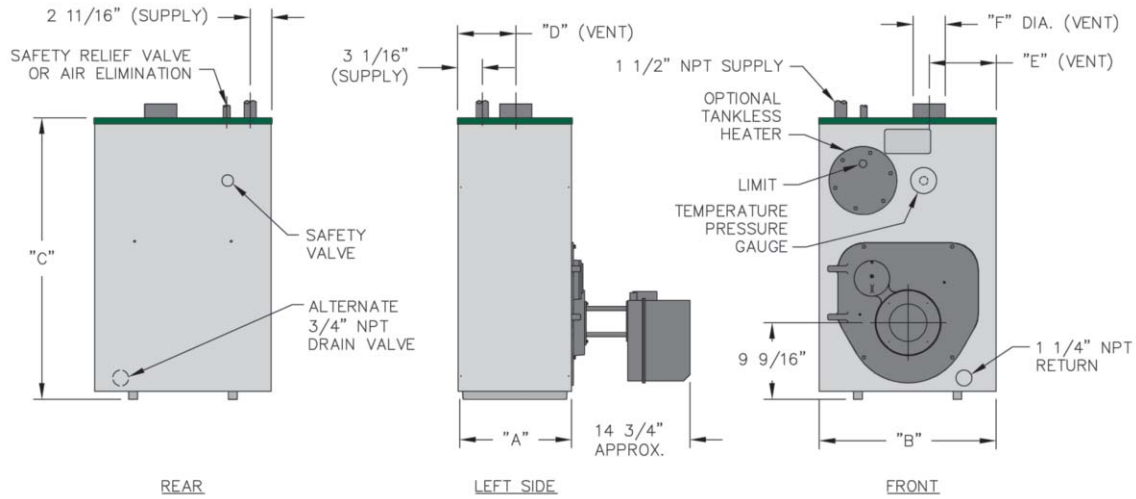
Standard Equipment

- > Taco Circulator
- > Concentric Vent Termination Kit—Only One 8" Hole Needed Through Wall
- > Boiler Reset Control with Low Water Cut-off for Increased Efficiency and Safety
- > Drain Valve
- > Service Switch

All residential cast iron boilers include a full one-year warranty. A limited, non-prorated lifetime warranty is provided for the cast iron sections of Peerless® residential hot water boilers. Visit PeerlessBoilers.com for complete details.



Technical Information



Boiler Dimensions

Boiler Model Number	Jacket Depth "A"	Jacket Width "B"	Jacket Height "C"	Rear of Jkt. to c/l of Vent "D"	Right of Jkt. to c/l of Vent "E"	Vent Size Dia. "F"
WV-DV-03	14-1/8"	22-1/8"	35"	7-1/16"	8-5/16"	4"
WV-DV-04	18-1/8"	22-1/8"	35"	9-1/16"	8-5/16"	4"

Crated Dimensions & Shipping Weights

Boiler Model Number	Length	Width	Height	Approximate Shipping Weight (lbs.)				
				Package		Vent Terminal	Venting Components Kit	
				WPC, WPCT ¹	WPC, WPCT ¹		WPC ¹	WPCT ¹
WV-DV-03	35"	28-1/2"	41-1/4"	566	575	13	10'	16
WV-DV-04	43"	28-1/2"	41-1/4"	680	698	13	15'	21
							20'	26

Boiler Ratings

Series WV-DV™						Water Content, Gallons
Boiler Model Number	Input ²		Heating Capacity ⁴ , MBH	Net Ratings Water ³ , MBH	AFUE ⁴ , %	
	GPH	MBH				
WV-DV-03	0.75	105	92	80	86.7	11.75
WV-DV-03	0.85	119	103	90	85.9	11.75
WV-DV-03	1.10	154	131	114	84.1	11.75
WV-DV-04	1.15	161	141	122	86.7	14.75
WV-DV-04	1.30	182	158	137	86.0	14.75

- Boiler Model No. may have the following suffix letters: WPC = Water Package w/Burner & Circulator; WPCT = Water Package w/Burner, Circulator & Tankless Coil
- Firing rate is based on a fuel oil with a heating value of 140,000 BTU per gallon. Burner input based on maximum altitude of 2,000 ft. - for other altitudes consult factory.
- The Net Ratings shown include allowance for normal piping pick-up load.
- Heating Capacity and Annual Fuel Utilization Efficiency (AFUE) ratings are based on U.S. Government tests.



PeerlessBoilers.com



WEB Rev1 (10/17)

Printed on Recycled Paper

PeerlessBoilers.com

CUT-WV-DV R4 (6/17-1.5M)
Printed in U.S.A.
©2017 PB Heat, LLC. All rights reserved.