

SERIES TC

APPLICATION OF FLANGE COVER PLATES ON STEAM BOILERS SUPPLEMENT TO THE INSTALLATION, OPERATION & MAINTENANCE MANUAL TC-8001

NOTICE

Refer to these Instructions and to Section 4.B in the TC-8001 Manual.

Cover Plate Installation:

1. Steam boilers are provided with a steam cover plate kit, 76091, for use on Front and Rear flanged sections.
2. Remove the Cover Plate from kit that incorporates a 1-1/2" N.P.T. tapping and install on the flanged Front Section using hardware and gasket provided.
3. Install the remaining Cover Plate on the flanged Rear Section in the same manner.

Skim Valve Fitting:

1. Install a 1-1/2" skim valve and fittings in the front Cover Plate as shown in figure below.
2. Follow cleaning instructions in Section 4.B of the TC Manual for proper cleaning and skimming of boiler waterways.

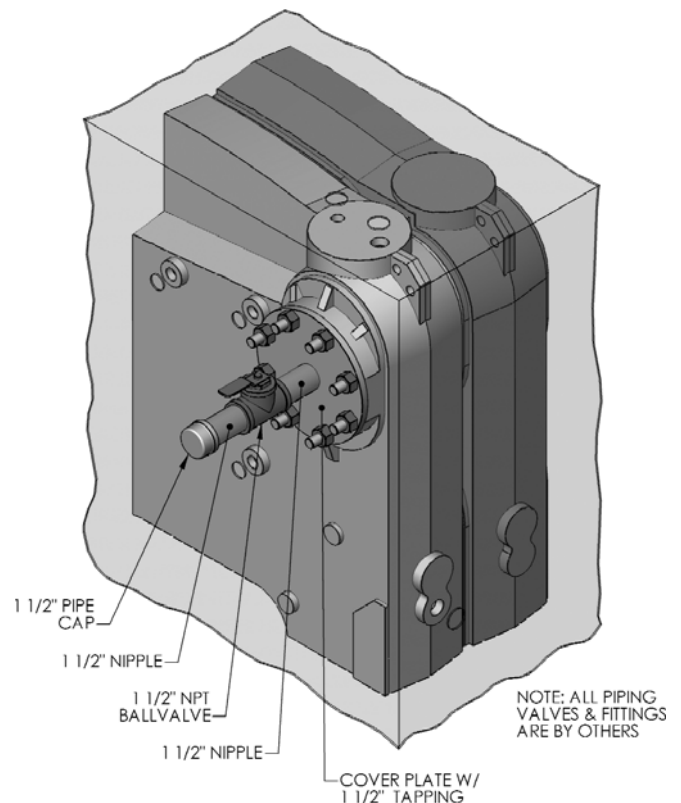


Figure: Skim Valve Piping



PeerlessBoilers.com

PB HEAT, LLC

131 S. CHURCH STREET • BALLY, PA 19503