

Series WV-DV™

Oil Boilers



Installation, Operation & Maintenance Manual



PeerlessBoilers.com

 **NOTICE**

Sidewall Venting

The Peerless® WV-DV™ is designed and built to be vented through a side wall of a building using a stainless steel concentric vent terminal (4 inch diameter tube inside an 8 inch diameter tube). Exhaust gases from combustion contain water vapor. During the cooler months of the year, this water vapor will condense into a visible vapor plume. This water vapor may condense on any surface near the vent terminal. Care must be taken not to locate the vent terminal where the exhaust gas, vapor plume and condensation could cause a hazard or a nuisance. Do not locate terminal under a deck, for instance, as it may create a coating of ice on the deck during the winter months, as well as shorten the life of the deck materials. Refer to Chapter 4 in this manual for specific terminal location requirements. Condensate from a side wall vent terminal may also cause paint on surrounding surfaces to crack and peel. If the boiler is used to heat potable (tap) water, the boiler will cycle year round. The effects of hot exhaust gases and odors must be taken into consideration during summer months.

Side wall vented, oil fired appliances may cause soot staining on wall surfaces surrounding their terminals. To reduce the potential for staining, the boiler must be serviced annually. Soot and scale must be completely removed from the combustion chamber and cast iron heat exchanger flueways. See Chapter 7 in this manual. The oil burner must be completely serviced and set up according to the specifications shown in Chapter 5 of this manual.

TABLE OF CONTENTS

USING THIS MANUAL	2	4. VENTING	7
A. INSTALLATION SEQUENCE	2	A. VENT SYSTEM INSTALLATION	7
B. SPECIAL ATTENTION BOXES	2	5. OIL BURNER	9
1. PREINSTALLATION	3	A. BURNER INSTALLATION	9
A. ACCESSIBILITY CLEARANCES	3	6. ELECTRICAL	11
B. CLEARANCES FROM COMBUSTIBLE CONSTRUCTION	3	A. WIRING	11
2. BOILER SET-UP	4	7. MAINTENANCE	14
A. SETTING UP THE BOILER	4	A. CLEANING HEATING SURFACES	15
3. PIPING AND CONTROLS	5	8. BOILER DIMENSIONS & RATINGS	16
A. BOILER SUPPLY AND RETURN	5	9. REPAIR PARTS	17
B. TANKLESS WATER HEATER	6		
C. INDIRECT-FIRED WATER HEATER	6		
D. SAFETY RELIEF VALVE	6		
E. CONTROLS	6		

USING THIS MANUAL

A. INSTALLATION SEQUENCE

Follow the installation instructions provided in this manual in the order shown. The order of these instructions has been set in order to provide the installer with a logical sequence of steps that will minimize potential interferences and maximize safety during boiler installation.

B. SPECIAL ATTENTION BOXES

Throughout this manual you will see special attention boxes intended to supplement the instructions and make special notice of potential hazards. These categories mean, in the judgment of PB Heat, LLC:



DANGER

Indicates a condition or hazard which will cause severe personal injury, death or major property damage.



WARNING

Indicates a condition or hazard which may cause severe personal injury, death or major property damage.



CAUTION

Indicates a condition or hazard which will or can cause minor personal injury or property damage.



NOTICE

Indicates special attention is needed, but not directly related to potential personal injury or property damage.

1. PREINSTALLATION

Read carefully, study these instructions before beginning work. It will save time. Study the included drawings. Save these instructions for reference.

This boiler must be installed by a qualified contractor.

The boiler warranty can be voided if the boiler is not installed, maintained and serviced correctly.

NOTICE

The equipment shall be installed in accordance with those installation regulations in force in the local area where the installation is to be made, including the current edition of NFPA-31. These shall be carefully followed in all cases. Authorities having jurisdiction shall be consulted before installations are made.

NOTICE

In accordance with Section 325 (f) (3) of the Energy Policy and Conservation Act, this boiler is equipped with a feature that saves energy by reducing the boiler water temperature as the heating load decreases. This feature is equipped with an override which is provided primarily to permit the use of an external energy management system that serves the same function.

THIS OVERRIDE MUST NOT BE USED UNLESS AT LEAST ONE OF THE FOLLOWING CONDITIONS IS TRUE:

- An external energy management system is installed that reduces the boiler water temperature as the heating load decreases.
- This boiler is not used for any space heating.
- This boiler is part of a modular or multiple boiler system having a total input of 300,000 BTU/hr or greater.
- This boiler is equipped with a tankless coil.

CAUTION

NEVER BURN GARBAGE OR PAPER IN THE UNIT, AND NEVER LEAVE COMBUSTIBLE MATERIAL AROUND IT.

CAUTION

Do not tamper with boiler or controls.

WARNING

Do not use this appliance if any part has been under water. Improper or dangerous operation may result. Immediately call a qualified service technician to inspect the boiler and to replace any part of the control system and any control which has been under water.

A. ACCESSIBILITY CLEARANCES

To provide for reasonable conditions of accessibility, the following minimum clearances are recommended:
Alcove Installation.

1. 12" from left side
2. 24" from top
3. 24" from front
4. 9" from right side and rear

B. CLEARANCES FROM COMBUSTIBLE CONSTRUCTION

The design of this boiler is certified for the following clearances from combustible construction:

1. 0" from rear
2. 0" from right and left sides
3. 0" from top
4. 0" from vent pipe
5. 0" from vent connector
6. 0" from vent terminal
7. 24" from front

2. BOILER SET-UP

A. SETTING THE BOILER

1. Prepare sketches and notes of the layout of the installation. Include boiler location, venting system, existing piping and wiring. Show existing equipment that may interfere with installation of new equipment. See Section 4-A. "Vent System Installation," Page 7, and Figure 4.1.
2. Provide a level foundation, located as close as possible to the center of the heating system.
3. This boiler is suitable for use on combustible flooring, provided the boiler is not set on carpet and a metal drip pan is placed under the appliance.
4. See exploded view (Figure 9.1). After uncrating boiler and setting it on foundation, open burner mounting plate (Item 5) and make certain the target wall (Item 2) is seated in the back of the combustion chamber. (WV-DV-04™) Ceramic fiber blanket base liner (Item 3) should be lying flat on bottom of combustion chamber between target wall and burner mounting plate. Close burner mounting plate.

3. PIPING AND CONTROLS

A. BOILER SUPPLY AND RETURN

1. See Figure 3.1 for suggested piping to the boiler.
2. Make up cold water supply connection to the boiler.
3. Plug all open tapplings in the boiler and fill with water. Apply approximately thirty (30) psi pressure. Check to make certain that all joints and fittings are water tight.
4. After all joints and connections have been proven water tight, remove cold water supply and plugs from all tapplings that are to be used. See Figure 8.1 for tapping locations.
5. Return water piping must be done in such a manner to allow clearance from the burner mounting plate to other piping when opening and closing the burner mounting plate.

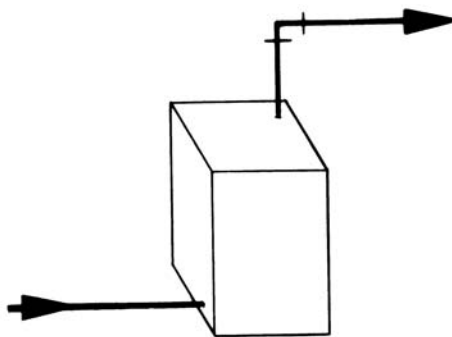


Figure 3.1

6. The supply and return connections should be sized to suit the system. A 1-1/2" to 1-1/4" reducing coupling may be used on the return where the system piping is 1-1/2". The supply should be out of the top of the back section and return to the bottom of the front section. There is a 3/4" tapping in the top of the back section for air elimination.

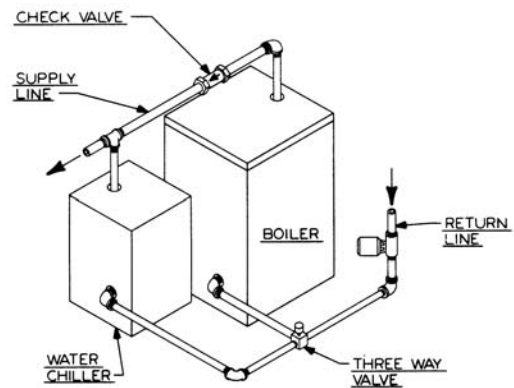


Figure 3.2

Note: If boiler is to be used in conjunction with a refrigeration system, the chilled medium shall be piped in parallel with boiler and proper valves applied to prevent the chilled medium from entering the boiler. Refer to Figure 3.2.

When the boiler is connected to heating coils located in air handling units, the boiler piping system must be equipped with flow control valves or other automatic devices to prevent gravity circulation of the boiler water during the cooling cycle.

B. TANKLESS WATER HEATER

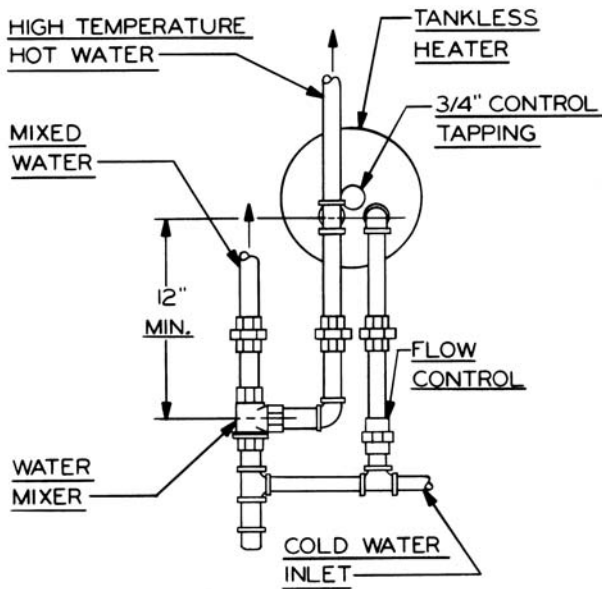


Figure 3.3

Note: X-1019R, X-1020R and PP-1011R Coils installed in WV-DV™ boilers have internal flow controls installed. Do not use external flow controls with these coils.

C. INDIRECT-FIRED WATER HEATER

1. If a water boiler is to be used in conjunction with an indirect-fired water heater refer to Figure 3.4 for typical piping. Also refer to additional instructions supplied with tank.

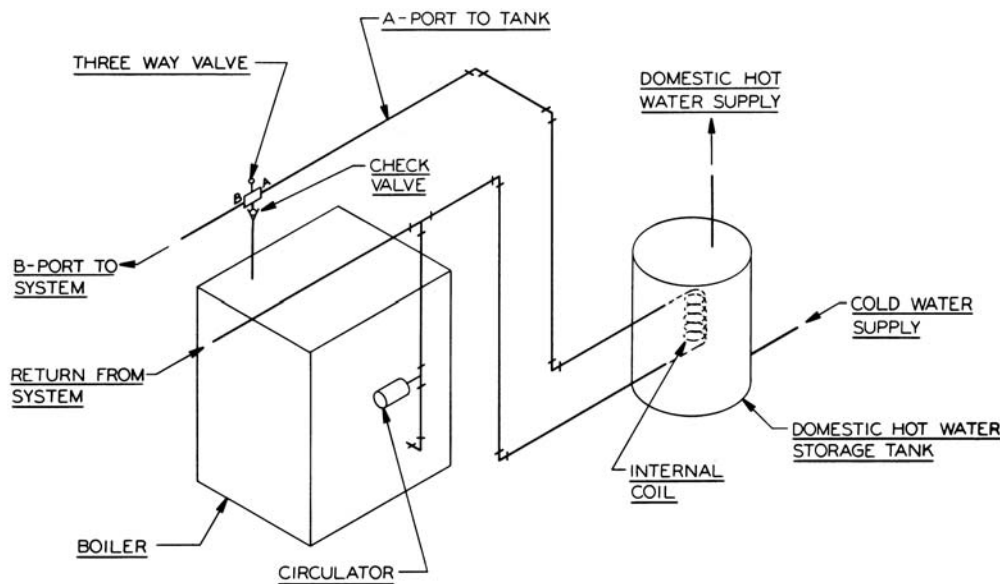


Figure 3.4

⚠ DANGER

Install mixing valve in hot water supply piping. Water temperature above 125°F can cause severe burns instantly or death from scalds.

⚠ CAUTION

Pipe the discharge of the safety relief valve to prevent injury in the event of pressure relief. Pipe the discharge to a drain. Provide piping that is the same size as the relief valve.

D. SAFETY RELIEF VALVE

1. Remove safety relief valve and 3/4" x 3" nipple from parts bag. Install nipple and safety relief valve in top or rear tapping. See Figure 8.1. If rear tapping is used, installer must supply an elbow so that safety relief valve is installed in vertical position.

E. CONTROLS

1. For complete information on servicing and adjustment of controls, refer to the attached control specification sheets.
2. This boiler is equipped with a water temperature limit control which includes a low water cut-off function.

4. VENTING

NOTICE

This boiler is shipped with a Z-Flex Vent Terminal carton, and a Z-Flex Venting Components Kit. The following components from these two cartons must be used in the installation of this boiler:

- Z-Flex Oil Vent Terminal
- Z-Flex Vent Pipe
- Z-Flex Appliance Adapter
- Z-Flex Terminal Adapter
- Z-Flex Sealant

CAUTION

This Oil-Fired Unit Shall be Connected to a Direct Vent System, to Assure Safe Proper Operation of the Unit.

A. VENT SYSTEM INSTALLATION

1. Determine vent terminal location:
 - a. Vent length must be between 3' and 20' long. See paragraph 4.A.3 and Figure 4.1 for air intake requirements.
 - b. No clearance is required between vent terminal and combustible construction.
 - c. Vent terminal extends 12" beyond outside wall surface and at least 16" beyond inside wall surface. See Figure 4.1.
- d. Sidewall vented products are susceptible to wind conditions that can effect combustion. To minimize the effects of wind, the exhaust and air inlet terminations must penetrate the same wall or vertical surface. In addition, the length of the exhaust and air inlet pipes must be roughly equivalent.
- e. Condensation from a sidewall vented appliance may cause paint and other surface coatings to deteriorate. In addition, soot stains may appear on surrounding surfaces if the boiler is not properly maintained.
- f. If the boiler is used to heat potable (tap) water, the boiler will operate year round. The effects of hot gases and odors must be taken into consideration during the summer months.
- g. See Figure 4.2 for an illustration of clearances for location of exit terminals for direct-vent, sidewall venting systems.
- h. The boiler vent system shall terminate at least 3 feet (0.9 m) above any forced air inlet located within 10 feet (3 m). Note: This does not apply to the combustion air inlet of a direct-vent appliance.
- i. Provide a minimum of 1 foot (300 mm) distance from any door, operable window, or gravity air inlet into any building.
- j. Do not locate the exhaust termination directly under an operable window.

Table 4.1

WALL THICKNESS	DIM. A
1"	21"
2"	20"
3"	19"
4"	18"
5"	17"
6" TO 14"	16"

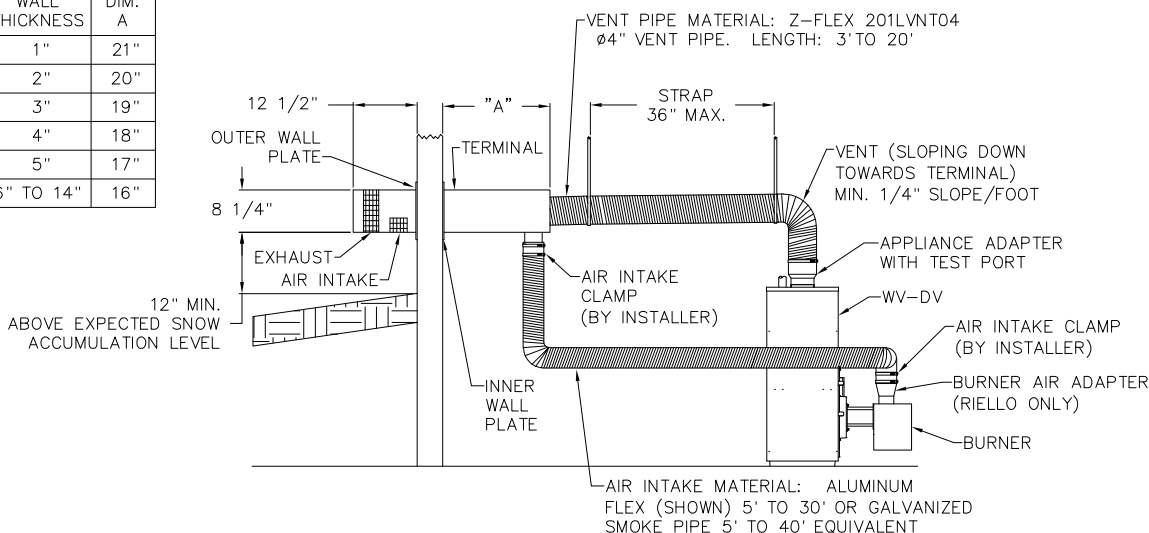


Figure 4.1: Venting

- k. Provide a minimum of 1 foot (300 mm) clearance from the bottom of the exhaust termination above the expected snow accumulation level. Snow removal may be necessary to maintain clearance.
 - l. Provide 4 feet horizontal clearance from electrical meters, gas meters, air conditioning condensers or other external equipment. In no case shall the exit terminal be above or below the aforementioned equipment unless a 4 foot horizontal distance is maintained.
 - m. Do not locate the exit termination over public walkways where condensate could drip or freeze, causing a hazard or nuisance.
 - n. When the exhaust termination is adjacent to a public walkway, it is to be located at least 7 feet (2100 mm) above grade.
 - o. Do not locate exhaust termination directly under roof overhangs to prevent icicles from forming.
 - p. Provide 3 feet (0.9 m) clearance from the inside
2. Use Z-Flex 4" diameter Vent Pipe.
 - 3. For air intake, use 4" diameter galvanized smoke pipe or 4" diameter flexible corrugated aluminum pipe. Maximum equivalent length of galvanized smoke pipe is 40'. Allow 5 equivalent feet for each 90° elbow used. (Example: No more than 20' straight smoke pipe can be used with four 90° elbows.) To connect air intake to Riello BF5 burner, use burner air adapter from trim bag to connect 4" air intake to 3" opening on top of burner. See Figure 4.1.
 - 4. For specific installation and maintenance instructions for the Z-Flex Vent Terminal, Appliance Adapter, Terminal Adapter, Burner Air Adapter (Riello only), and Sealant that are included with the boiler, as well as instructions for installation of flexible vent pipe and air intake pipe, refer to Z-Flex Manual included in vent kit.

⚠ NOTICE

PB Heat, LLC requires that the vent slopes down 1/4" per foot towards the vent terminal. This takes precedence over the requirements shown in the Z-Flex manual.

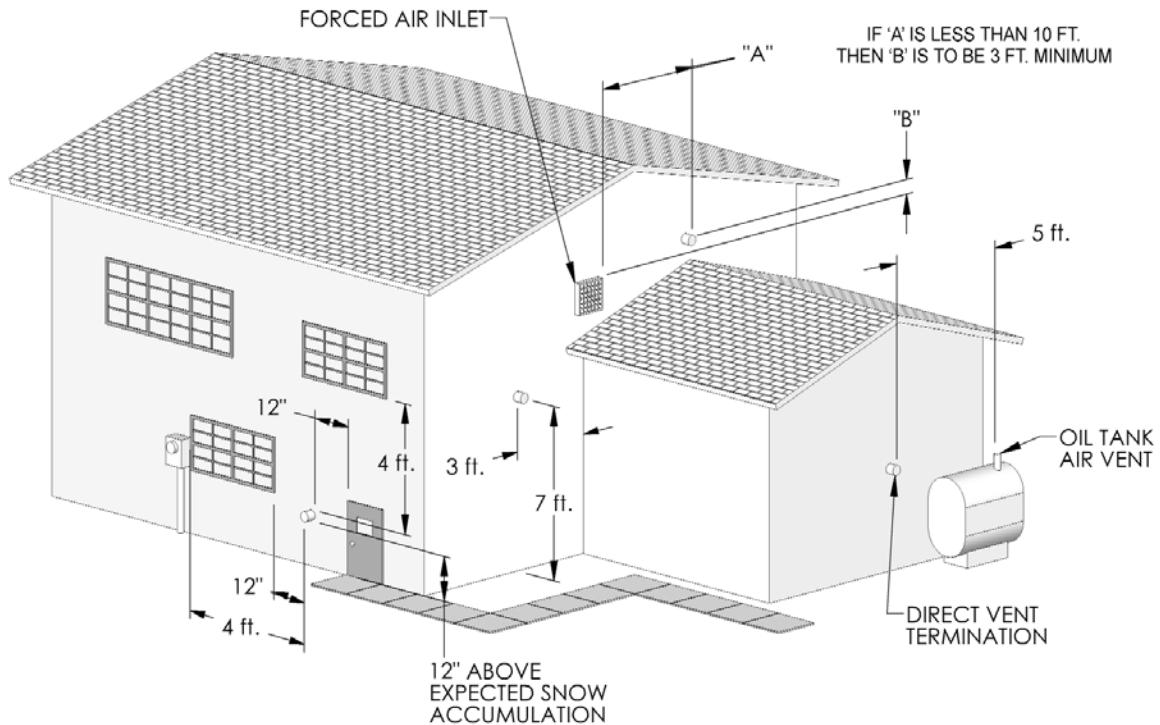


Figure 4.2: Location of Exit Terminals of Mechanical Draft and Direct-Venting Systems

5. OIL BURNER

CAUTION

BURN ONLY #2 FUEL OIL IN THIS APPLIANCE. DO NOT USE GASOLINE, CRANKCASE DRAININGS OR ANY OIL CONTAINING GASOLINE.

A. BURNER INSTALLATION

1. The oil burner is supplied with a mounting flange fixed in position.
2. BE SURE HI TEMP GASKET IS BETWEEN THE BURNER MOUNTING FLANGE AND THE COMBUSTION CHAMBER COVER PLATE.
3. Care must be taken when routing the oil lines so not to interfere with the opening and closing of the burner mounting plate. Flexible oil lines or flared copper disconnects with valves (when copper lines are used) may be installed to assure full opening of the burner mounting plate when servicing.

Note: Two-pipe oil supply for Riello burner requires a separate kit. Order part #C7001026 from Riello dealer.

4. Oil Burner Specifications:
For information pertinent to the oil burner such as nozzle sizing, fuel supply piping, adjusting or servicing, refer to the charts below and the burner installation manual.
5. Sampling tapping in CeraFlex Appliance Adapter must be used for CO₂, smoke and flue pressure readings.

6. Burner should start automatically when thermostat is turned up and main boiler service switch is turned on. If burner does not start, check to be sure there is oil in the tank and push reset button on burner control: (Beckett) square red button; (Carlin) round red button; (Riello) round red button inside clear flexible cover on back of burner cover. If burner still does not start, contact serviceman.

CAUTION

Do not attempt to start the burner when excess oil has accumulated, when the unit is full of vapor, or when the combustion chamber is very hot.

7. Burner and boiler can be shut down by turning down the thermostat and moving the main boiler service switch to the "off" position.

CAUTION

Always keep the manual fuel supply valve shut off if the burner is shut down for an extended period of time.

8. Post-purge timing on Riello BF5 burner is controlled by 3/8" diameter dial near top right corner of AL1009 circuit board inside burner cover. Post-purge duration must be a minimum of one minute. Adjust dial so arrow is pointing directly to the right (toward mounting screw for AL1009 bracket). Check post-purge timing to confirm it is at least one minute long.

OIL BURNER

Table 5.1

Beckett NX Burner Specifications					
Boiler Model No.	Burner Model	Nozzle Manufacturer, Size	Pump Pressure (psig)	Head/Air Setting	Low Fire Baffle
WV-DV-03-075	NX70LB	Delavan 0.60 60° W ¹	175	2.25	Yes
WV-DV-03-085	NX70LB	Delavan 0.65 60° W	175	3.00	Yes
WV-DV-03-110	NX70LB	Hago 0.85 60° B ¹	175	3.75	No
WV-DV-04-115	NX70LD	Hago 0.85 60° B	170	1.50	Yes
WV-DV-04-130	NX70LD	Hago 1.00 60° B ¹	170	1.50	No

Table 5.2

Carlin EZ1-HP Burner Specifications				
Boiler Model No.	Delavan Nozzle Size	Pump Pressure (psig)	Air Boot Setting	Head Bar
WV-DV-03-075	.60 70° A ¹	150	0.5	0.75
WV-DV-03-085	.65 70° A ¹	150	0.6	0.75
WV-DV-03-110	.85 70° A	150	0.85	1.10 - 1.25
WV-DV-04-115	Hago 1.00 60° B ¹	140	1.00	1.10 - 1.25
WV-DV-04-130	Hago 1.10 60° B	140	1.25	1.10 - 1.25

Table 5.3

Riello BF5 Burner Specifications				
Boiler Model No.	Nozzle Size	Pump Pressure (psig)	Turbulator Setting	Air Damper Setting
WV-DV-03-075	Delavan .60 80° B ¹	165	1	3.3
WV-DV-03-085	Delavan .65 80° B ¹	165	1	3.8
WV-DV-03-110	Delavan .90 80° B	165	2	5.0
WV-DV-04-115	Hago .85 60° B ¹ or Delavan .85 60° W ¹	180	2	5.0
WV-DV-04-130	Hago 1.10 60° B or Delavan 1.10 60° W	140	4	5.0

Start-up and adjustment recommendations: Above Turbulator, Pin, Air Damper, and Air Dial settings are start-up settings only. Adjust burner for highest CO₂ (no more than 13.1%) while maintaining a 0 smoke spot. Pressure or draft over fire and in flue cannot be adjusted. However, draft and/or pressure measurements must be taken in these two locations and recorded for reference. All adjustments and measurements must be made using suitable instruments such as those found in a Bacharach Combustion Test Kit.

Factory Installed Nozzles are indicated in **Boldface**.

1. Shipped Loose

6. ELECTRICAL

A. WIRING

1. All electrical wiring shall be done in accordance with the National Electrical Code and Local Requirements. Single Pole Switches including those of Safety Controls or Protective Devices shall not be wired in a grounded line.

⚠ CAUTION

Do not connect power supply to Aquastat. To assure service switch interrupts power to all boiler controls, power supply must be connected to junction box as shown below.

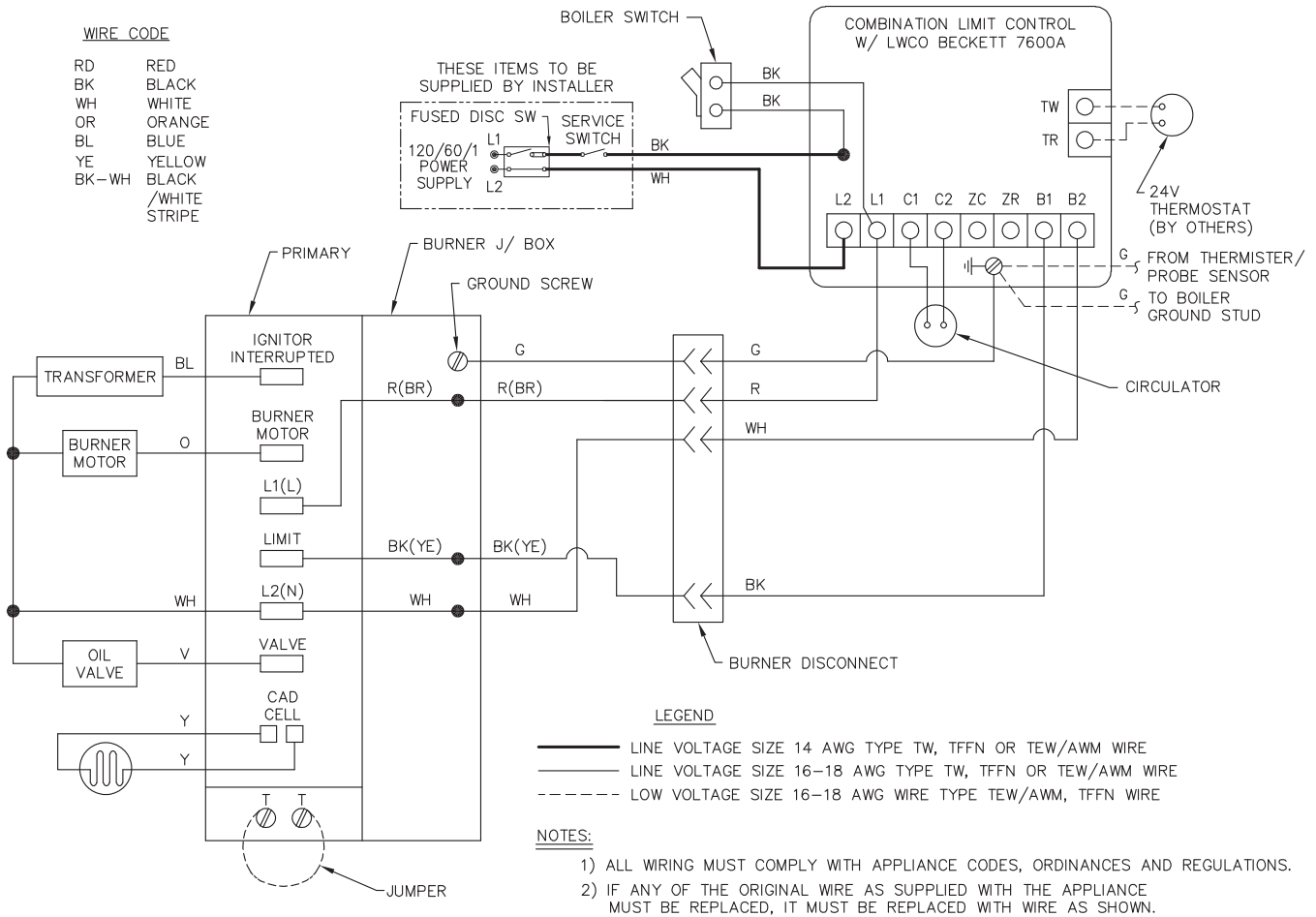


Figure 6.1: Beckett 7600A Limit Control, Beckett and Carlin Burners

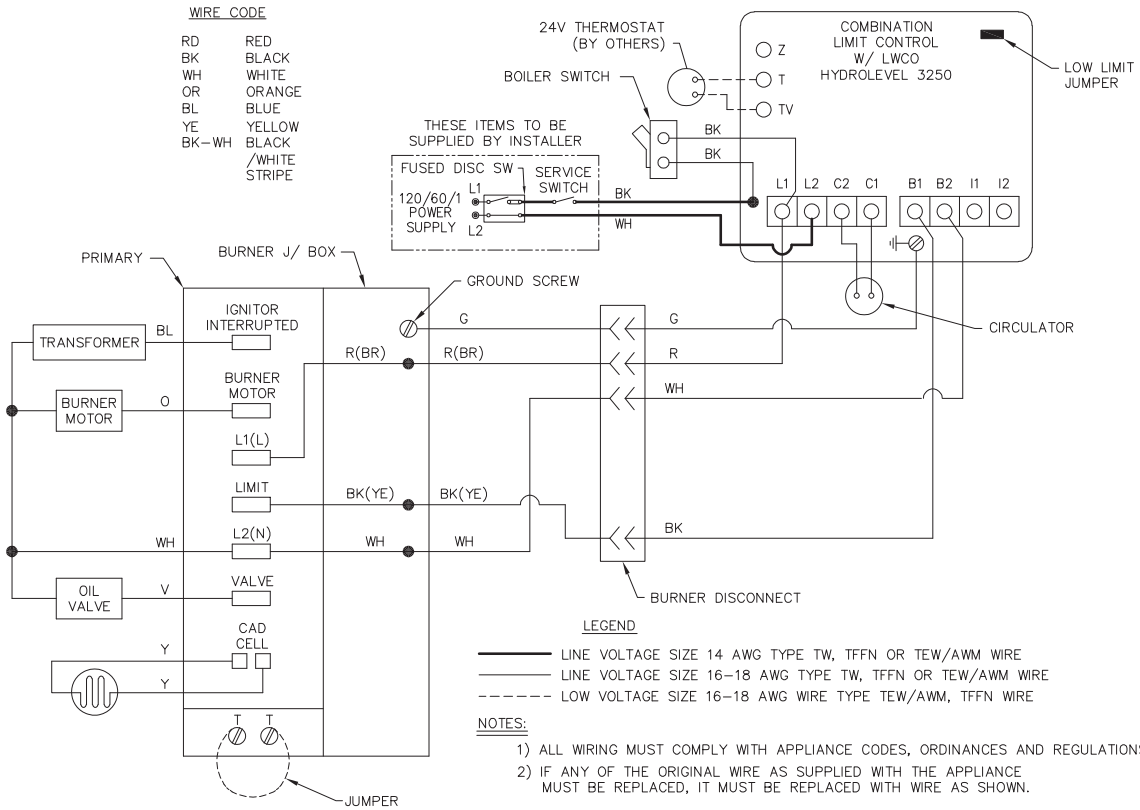


Figure 6.2: Hydrolevel 3250 Limit Control, Beckett and Carlin Burners

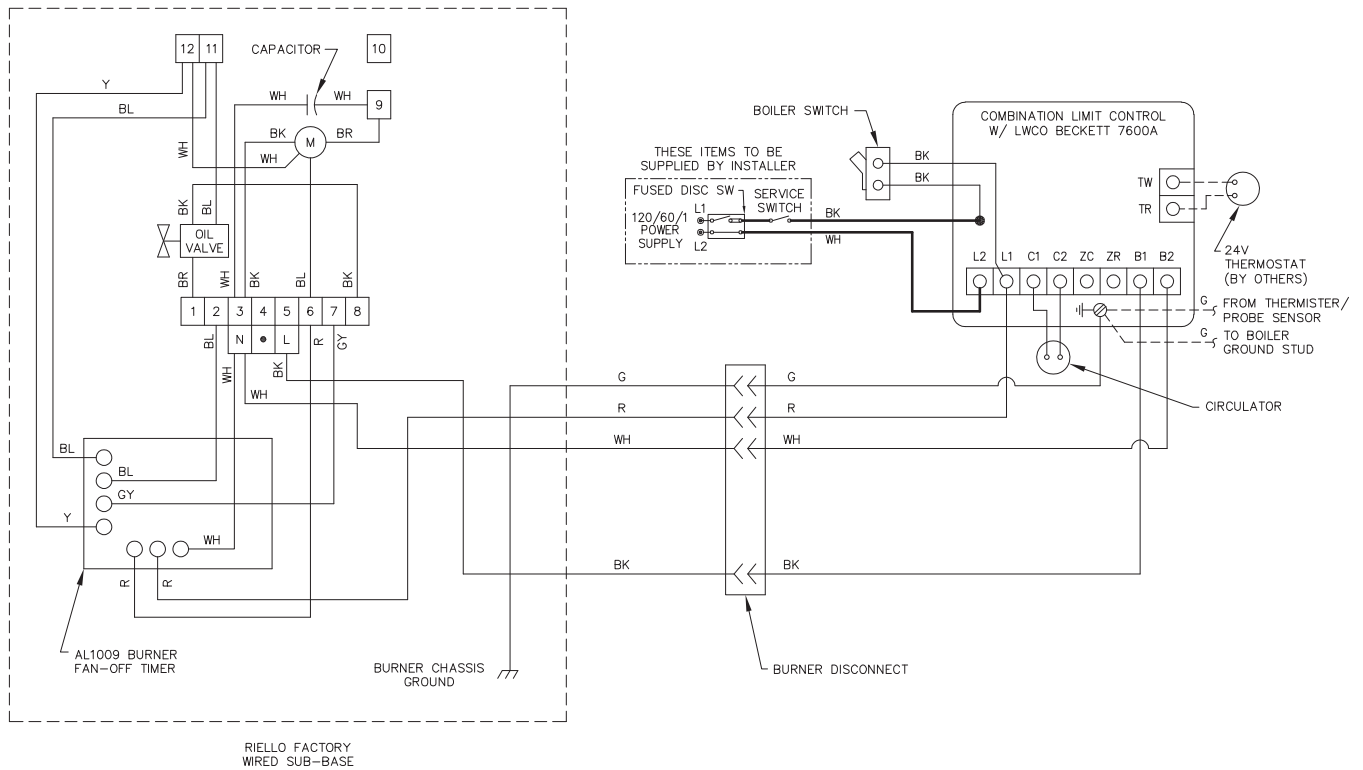
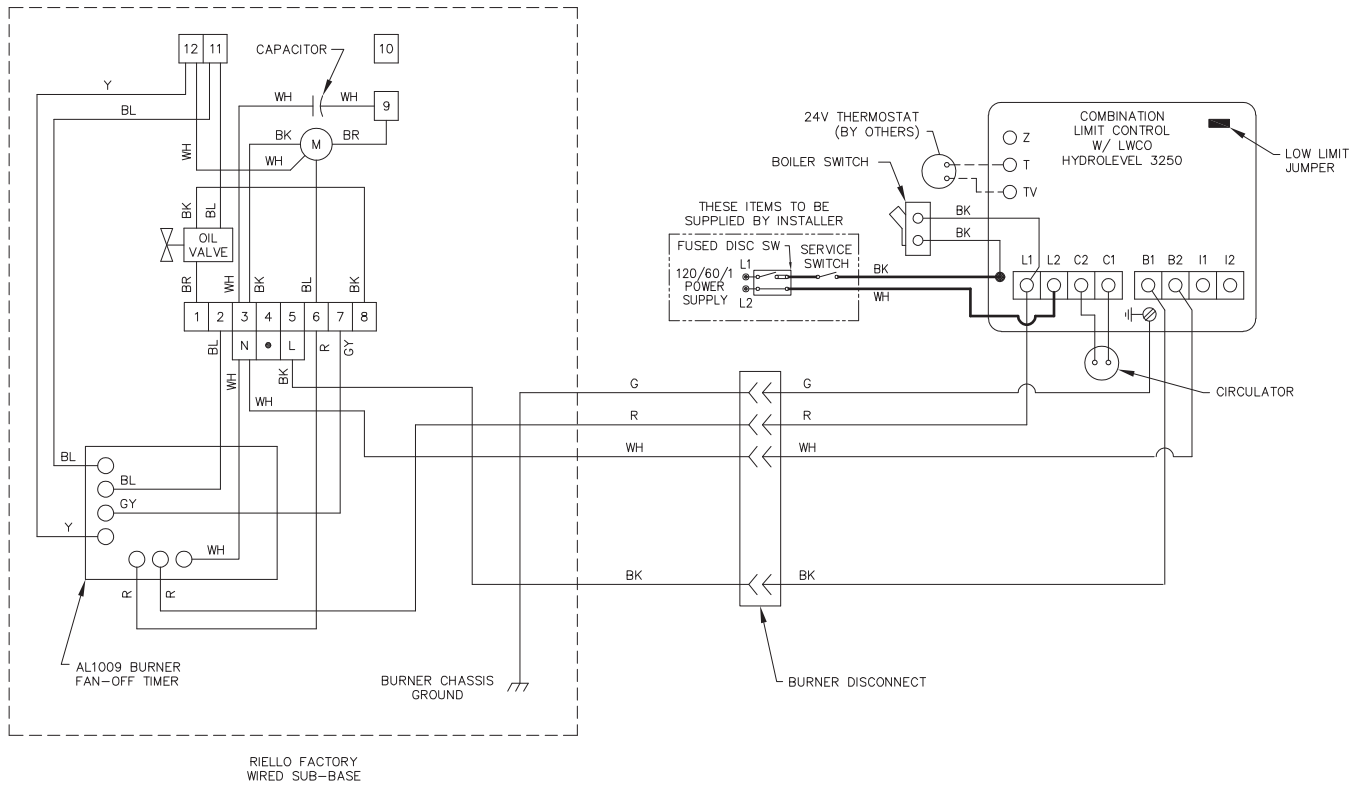


Figure 6.3: Beckett 7600A Limit Control, Riello Burner



LINE VOLTAGE —————

LOW VOLTAGE - - - - -

NOTE: ALL WIRING MUST COMPLY WITH APPLIANCE CODES, ORDINANCES AND REGULATIONS.

Figure 6.4: Hydrolevel 3250 Limit Control, Riello Burner

7. MAINTENANCE



WARNING

Product Safety Information Refractory Ceramic Fiber Product

This appliance contains materials made from refractory ceramic fibers (RCF). Airborne RCF fibers, when inhaled, have been classified by the International Agency for Research on Cancer (IARC), as a possible carcinogen to humans. After the RCF materials have been exposed to temperatures above 1800°F, they can change into crystalline silica, which has been classified by the IARC as carcinogenic to humans. If particles become airborne during service or repair, inhalation of these particles may be hazardous to your health.

Avoid Breathing Fiber Particulates and Dust

Suppliers of RCF recommend the following precautions be taken when handling these materials:

Precautionary Measures:

Provide adequate ventilation.

Wear a NIOSH/MSHA approved respirator.

Wear long sleeved, loose fitting clothing and gloves to prevent skin contact.

Wear eye goggles.

Minimize airborne dust prior to handling and removal by water misting the material and avoiding unnecessary disturbance of materials.

Wash work clothes separately from others. Rinse washer thoroughly after use.

Discard RCF materials by sealing in an airtight plastic bag.

First Aid Procedures:

Inhalation: If breathing difficulty or irritation occurs, move to a location with fresh clean air. Seek immediate medical attention if symptoms persist.

Skin Contact: Wash affected area gently with a mild soap and warm water. Seek immediate medical attention if irritation persists.

Eye Contact: Flush eyes with water for 15 minutes while holding eyelids apart. Do not rub eyes. Seek immediate medical attention if irritation persists.

Ingestion: Drink 1 to 2 glasses of water. Do not induce vomiting. Seek immediate medical attention.

A. CLEANING HEATING SURFACES

⚠ NOTICE

Entire heating system, including boiler, burner and venting system, must be inspected at least once a year by a qualified heating professional. Boiler is to be cleaned at least once a year. To thoroughly clean the boiler it must be brushed down from the top. Alternately, for limited space or minimum clearance to combustible installations, cleaning the heat exchanger from the combustion chamber side is acceptable.

TO CLEAN:

1. Turn off all electrical power to the boiler before beginning cleaning operation.
2. Remove top jacket panel and flue collector cover plate, Item 11.
3. Brush the flue passages thoroughly from the top with a wire brush. If unit is extremely dirty, brushing up from the combustion chamber area also may be necessary. The target wall is made of a soft ceramic fiber. Care must be taken not to damage this material during cleaning.
4. Remove any scale or soot from the combustion chamber area by vacuum cleaning or any other available means.

⚠ NOTICE

Combustion chamber cover plate must be opened to facilitate this operation.

5. Replace oil burner and flue collector cover plate making sure all gaskets are in place.

⚠ CAUTION

Combustion chamber and flue collector may be under pressure when burner is running. Flue collector cover plate and combustion chamber must be completely sealed before boiler is returned to operation.

6. Replace jacket top panel.

⚠ NOTICE

All Cover Plates, Enclosures, and Guards must be maintained in place at all times, except during maintenance and servicing.

7. Inspect venting system.

8. BOILER DIMENSIONS & RATINGS

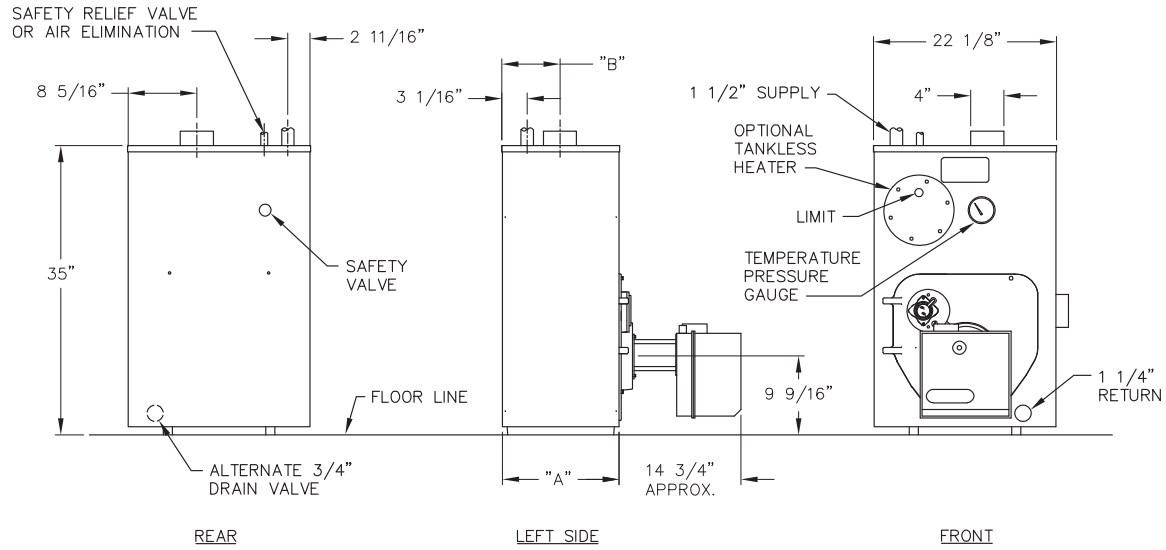


Figure 8.1: WV-DV™ Boiler Views

Model	A	B
WV-DV-03	14 1/8"	7 1/16"
WV-DV-04	18 1/8"	9 1/16"

Table 7.1: Boiler Ratings

Series WV-DV™						Water Content, gal
Model Number ¹	Input ²		Heating Capacity ⁴ , MBH	Net Ratings Water ³ , MBH	AFUE ⁴ , %	
	GPH	MBH				
WV-DV-03	0.75	105	92	80	86.7	11.75
WV-DV-03	0.85	119	103	90	85.9	11.75
WV-DV-03	1.10	154	131	114	84.1	11.75
WV-DV-04	1.15	161	141	122	86.7	14.75
WV-DV-04	1.30	182	158	137	86.0	14.75



- Boiler Model No. may have the following suffix letters: WPC = Water Package w/Burner & Circulator; WPCT = Water Package w/Burner, Circulator & Tankless Coil.
- Firing rate is based on a fuel oil with a heating value of 140,000 BTU per gallon. Burner input based on maximum altitude of 2,000 ft. – for other altitudes consult factory.
- The Ratings shown include allowance for normal piping pick-up load.
- Heating Capacity and Annual Fuel Utilization Efficiency (AFUE) ratings are based on U.S. Government test.
- Must be used with factory supplied 4" flexible insulated venting system.

9. REPAIR PARTS

Repair parts are available from your local PB Heat, LLC distributor or from Parts To Your Door at 1 (610) 916-5380 (www.partstoyourdoor.com).

Note: Remember to include the boiler model number and serial number when ordering parts.

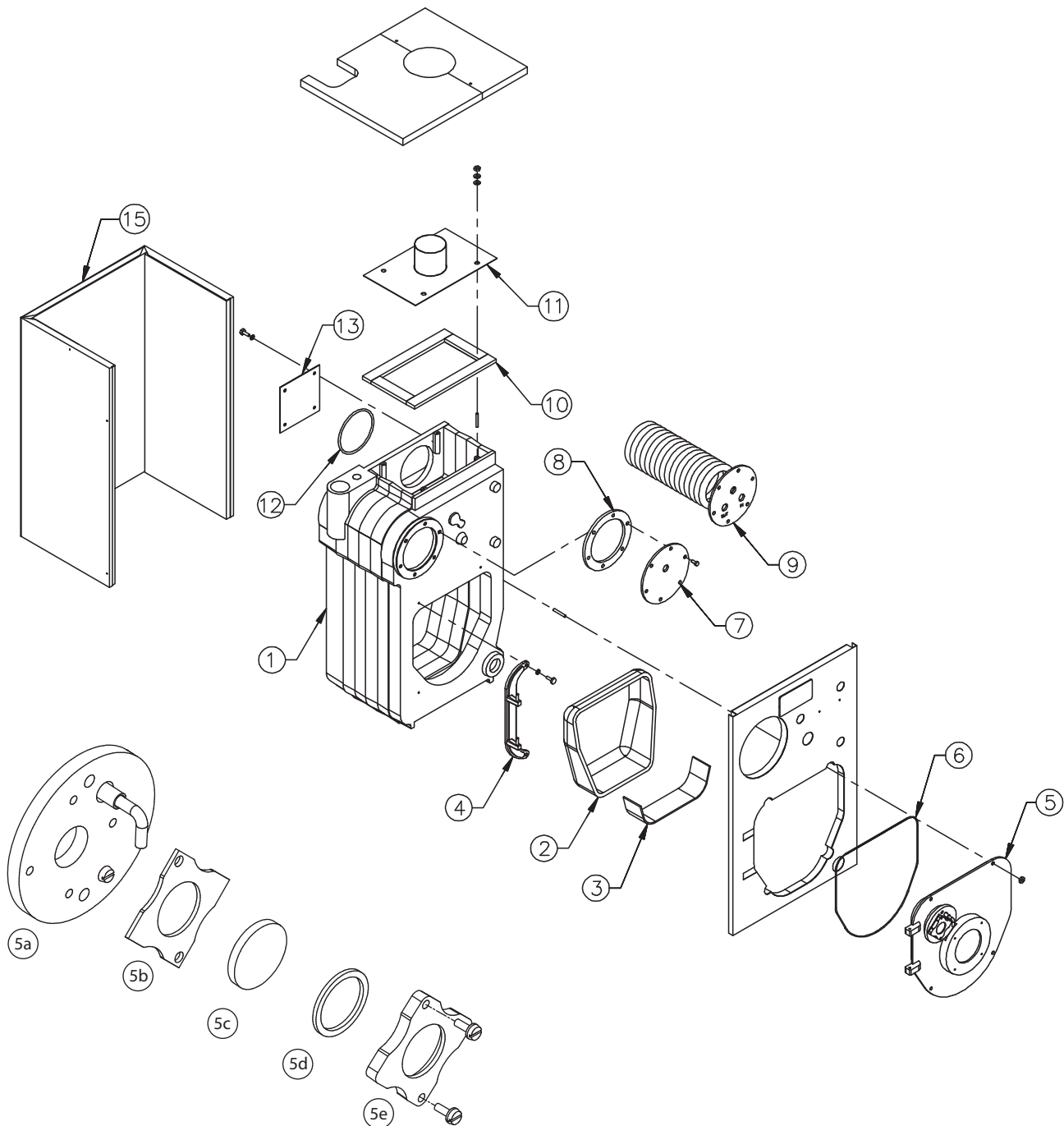


Figure 9.1: Repair Parts

Table 9.1: Repair Parts*

Item No.	Description	Additional Information	Stock Code WV-DV-03	Stock Code WV-DV-04
1	Block Assembly Water – WPCT	–	90183	90184
	Block Assembly Water – WPC	–	90186	90187
2	Target Wall	–	50795	50795
3	Base Liner	–	50858	50858
4	Swing Door Hinge	–	90538	90538
5	Burner Mounting Plate Assembly	–	90137	90137
–	Burner Mounting Plate Insulation	–	50794	50794
–	Flame Observation Assembly	–	90754	90754
5a	Flame Observation Cover Plate	–	SC1007P	SC1007P
5b	Face Gasket	–	50230	50230
5c	Pyrex Observation Window	–	51681	51681
5d	Ring Gasket	–	50229	50229
5e	Observation Glass Holder	–	X1138P	X1138P
6	Burner Mounting Plate Rope Seal, 6' Needed	–	51210	51210
7	Steel Cover Plate (Front) Water w/ Gasket & Cap	–	99812	99812
8	Rubber Gasket (Front Plate)	–	51800	51800
9	Tankless Coil	–	90637	90637
10	Flue Collector Plate Blanket Seal	–	90999	90999
11	Flue Collector Cover Plate	–	50245	50245
12	Rope Seal	–	51209	51209
13	Rear Outlet Cover Plate	–	90563	90563
15	Jacket Assembly	–	90098	90418
–	Limit Control, Beckett AquaSmart 7600A		50337	50337
–	Immersion Well, Beckett 7600T		50341	50341
–	Immersion Sensor, Beckett 7600P		50339	50339
–	Limit Control with Sensor, Hydrolevel HydroStat 3250		50343	50343
–	Immersion Well, Hydrolevel, Standard Shank		50723	50723
–	Immersion Well, Hydrolevel, Long Shank (WPCT models)		50792	50792
–	ZFLEX APPL Termination Adapter	–	7577	7577
–	ZFLEX APPL Adapter	–	7576	7576
–	Riello Burner Adapter	CFBA34-RL	7615	7615
–	Tube of Sealant	XMMSC5	7616	7616
–	Concentric Vent Termination Kit	CFT4	91776	91776

*See Figure 9.1

Series WV-DV™

Oil Boilers

Installation, Operation & Maintenance Manual

TO THE INSTALLER:

This manual is the property of the owner and must be affixed near the boiler for future reference.

TO THE OWNER:

This boiler should be inspected annually by a Qualified Service Agency.



PeerlessBoilers.com

PB HEAT, LLC

131 S. CHURCH STREET • BALLY, PA 19503

Service Information

Name: _____

Address: _____

Phone: _____

