



Series PBC™

PBC-34 Features and Standard Equipment

Performance:

- 95.0 Annual Fuel Utilization Efficiency (AFUE)
AHRI Certified
- ENERGY STAR® Qualified
- Design Certified by SCAQMD for Low NOx Operation (Natural Gas Only)
- Modulating Burner with 8.3:1 Turndown Capability
- Factory Equipped for Outdoor Reset Operation
- Dual Temperature Settings for Central Heating and Domestic Hot Water
- Suitable for Firing Natural or LP Gas (Model based)

Construction:

- Designed, Constructed and Stamped in accordance with ASME Boiler & Pressure Vessel Code, Section IV
- Design Certified for Zero Clearance to Combustible Construction
- Maximum Allowable Working Pressure: 50 PSI
- 304L Stainless Steel Heat Exchanger
- Sealed, Negative Pressure Cabinet
- Removable Jacket Panels
- Wall Mount Only
- Leveling Legs
- Factory Equipped with Boiler Service Switch

Exhaust/Air Intake Piping:

- Suitable for Sealed Combustion Operation
- Vent Adapter for PVC, CPVC, Polypro, or Stainless Steel Pipe
- Factory Supplied Vent & Air Inlet Termination Screen
- Vent Temperature Sensor and Temperature Protection

Safety Features:

- 30 PSIG ASME Safety Relief Valve (Loose)
- Pressure/Temperature Gauge (Loose)
- Integrated Connections for Optional Low Water Cut Off
- Manual Reset High Temperature Limit
- Automatic High Water Temperature Limit

Codes:

- Design Certified to ANSI Z21.13
- CSD-1 Compliant
- California Emissions Compliant (Natural Gas Only)
- Massachusetts Plumbing Code Compliant

Control Features:

- Freeze Protection
- Ramp Delay Modulation
- Outdoor Sensor Included
- Temperature Boost Function
- Warm Weather Shut Down
- Anti-Cycling Logic
- Service Notification
- System Test for Manual Control of Firing Rate
- Fault History
- Built-in Low Water Cut Off Capable

Combustion System:

- High Quality Low NOx Burner
- External Spark Ignition

Condensate System:

- Condensate Trap Included
- Blocked Condensate Switch
- Highly Visible, Easy Access Condensate Collector

Optional Equipment:

- Low Water Cut Off 650P Auto Reset
- Kit - Series PBC™ Low Water Cut Off Manual Reset

Warranty:

- One Year Parts Warranty
- One Year Labor Warranty*
- 12 Year Limited Heat Exchanger Warranty
- Available 5 & 10 Year Extended Parts & Labor Warranties
- Visit PeerlessBoilers.com for Complete Warranty Details

* Purchased by PB Heat, LLC, if Product and Installer/Service Provider are Registered with Program Administrator.

Series PBC™ HIGH EFFICIENCY COMBINATION BOILER

Series PBC™ PBC-34 BOILER RATINGS



Boiler	Input (MBH)			Heating Capacity (MBH)	Net Ratings (MBH)	AFUE (%)
	Min	Max (DHW)	Max (CH)			
PBC-34	15.5	130	80	76	64.6	95.0

Series PBC™ PBC-34 DIMENSIONS

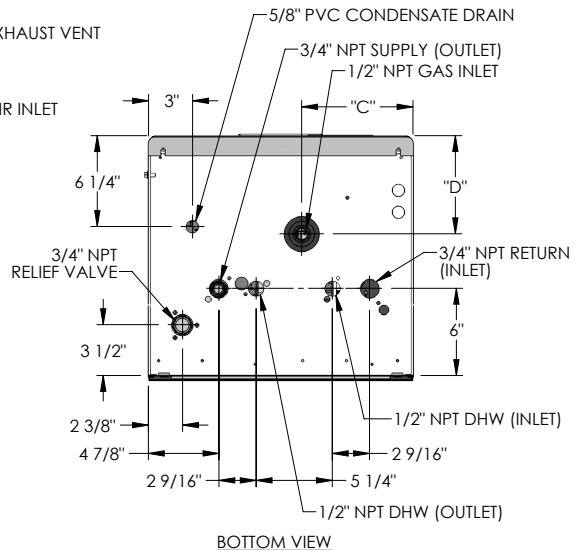
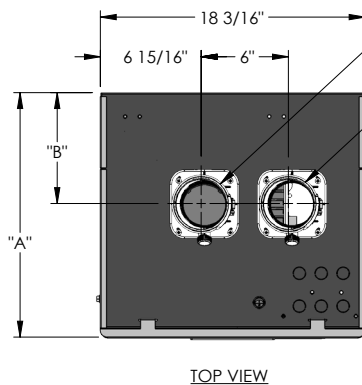
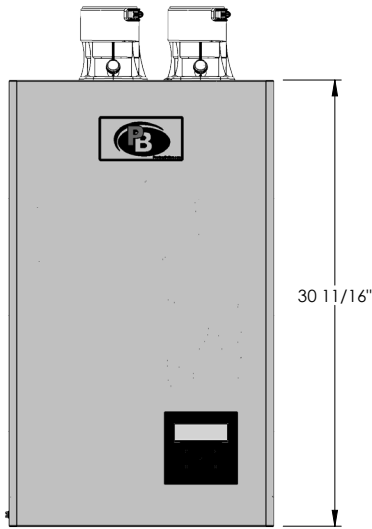
Dimensions (Inches)				DHW Connections	Supply/Return Connections	Gas Supply Connections	Air Intake & Vent Connection	Relief Valve Size NPT
"A"	"B"	"C"	"D"					
16-13/16"	7-5/8"	7-5/8"	6-3/4"	1/2"	3/4"	1/2"	3"	3/4"

Series PBC™ PBC-34 CAPACITIES

Gas Pressure Min/Max (Inch WC)		DHW Turndown	DHW Output (70°F ΔT)	Total Combined Length of Air Intake & Vent (Feet)		Shipping Weight (Lbs)
			(GPM)	Ø 2"	Ø 3"	
3.5 (N)	13.5 (N)	8.3:1	3.4	60	100	100
8.0 (LP)	13.5 (LP)					

Series PBC™ PBC-34 ELECTRICAL RATINGS

Supply Voltage (-15%, +10%)	Frequency (±10 Hz)	Blower		Gas Valve		Int. Gen. Pumps		CH Pump Contacts		Max Total Service Current to Boiler
		Voltage (VAC)	Max. Current (Amps)	Voltage (VAC)	Max. Current (Amps)	Voltage (VAC)	Max. Current (Amps)	Voltage (VAC)	Max. Current (Amps)	
120 VAC	60 Hz	120	1.5	120	0.09	120	0.8	120	2	4



These specifications are subject to change without notice.



CONTROLS



PBC8051 R0 (05/19)
Printed in U.S.A.

©2019 PB Heat, LLC. All rights reserved.