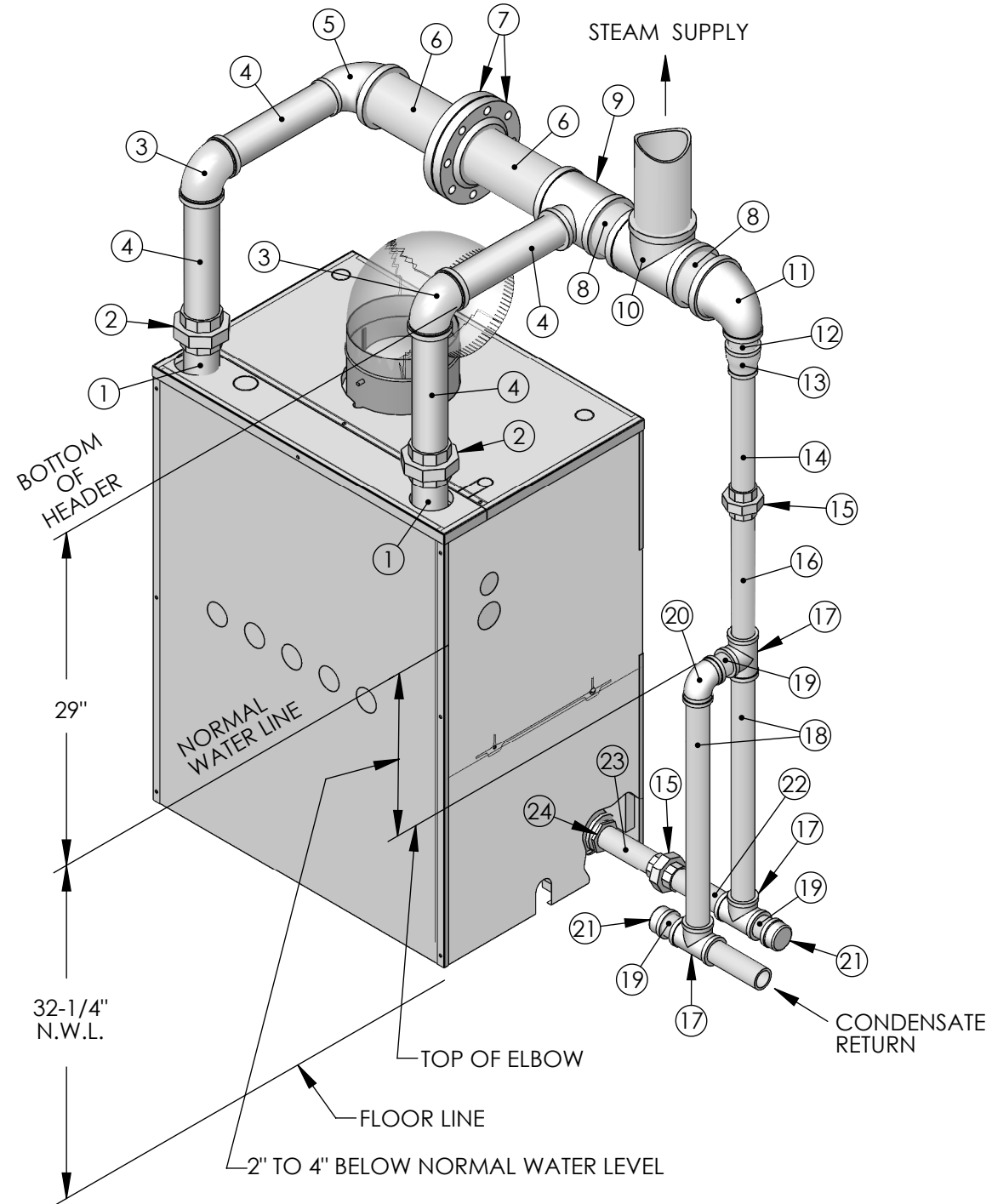


## NEAR BOILER PIPING - REAR VENT: MODEL SC(T)-08



ITEM NO.	DESCRIPTION	QTY
1	NIPPLE - 2-1/2 X 8	2
2	UNION - 2-1/2	2
3	ELBOW - 2-1/2	2
4	NIPPLE - 2-1/2 X 13	4
5	REDUCING ELBOW - 4 X 2-1/2	1
6	NIPPLE - 4 X 12-1/2	2
7	PIPE FLANGE, THREADED - 4	2
8	NIPPLE - 4 X 4	2
9	REDUCING TEE - 4 X 4 X 2-1/2	1
10	TEE - 4	1
11	REDUCING ELBOW - 4 X 2	1
12	NIPPLE - 2 X 2-1/2 (SHORT)	1
13	REDUCING COUPLING - 2 X 1-1/2	1
14	NIPPLE - 1-1/2 X 12-1/2	1
15	UNION - 1-1/2	2
16	NIPPLE - 1-1/2 X 13	1
17	TEE - 1-1/2	3
18	NIPPLE - 1-1/2 X 23	2
19	NIPPLE - 1-1/2 X 2-1/2 (SHORT)	3
20	ELBOW - 1-1/2	1
21	CAP - 1-1/2	2
22	NIPPLE - 1-1/2 X 6-1/2	1
23	NIPPLE - 1-1/2 X 7	1
24	HEX BUSHING - 2 X 1-1/2	1

NOTE: Nipple lengths may require modification due to variations in thread engagement and machining. Contractor should carry assorted length nipples. Not responsible for discrepancies.

SC8037 R1