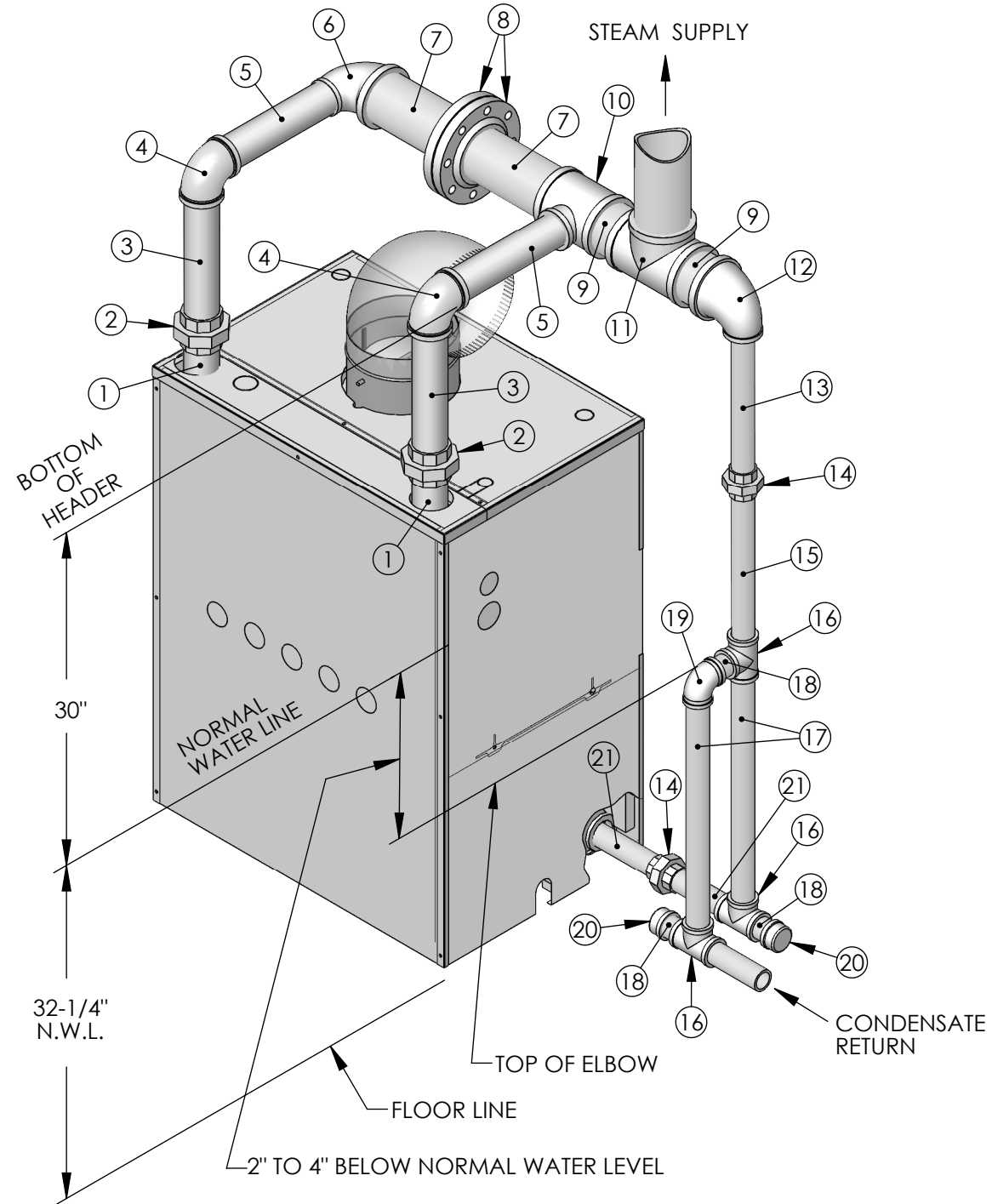


NEAR BOILER PIPING - REAR VENT: MODEL SC(T)-09



ITEM NO.	DESCRIPTION	QTY
1	NIPPLE - 2-1/2 X 8	2
2	UNION - 2-1/2	2
3	NIPPLE - 2-1/2 X 14	2
4	ELBOW - 2-1/2	2
5	NIPPLE - 2-1/2 X 13	2
6	REDUCING ELBOW - 4 X 2-1/2	1
7	NIPPLE - 4 X 14-1/2	2
8	PIPE FLANGE, THREADED - 4	2
9	NIPPLE - 4 X 4	2
10	REDUCING TEE - 4 X 4 X 2-1/2	1
11	TEE - 4	1
12	REDUCING ELBOW - 4 X 2	1
13	NIPPLE - 2 X 15-1/2	1
14	UNION - 2	2
15	NIPPLE - 2 X 15	1
16	TEE - 2	3
17	NIPPLE - 2 X 22	2
18	NIPPLE - 2 X 3	3
19	ELBOW - 2	1
20	CAP - 2	2
21	NIPPLE - 2 X 7	2

NOTE: Nipple lengths may require modification due to variations in thread engagement and machining. Contractor should carry assorted length nipples. Not responsible for discrepancies.

SC8038 R1