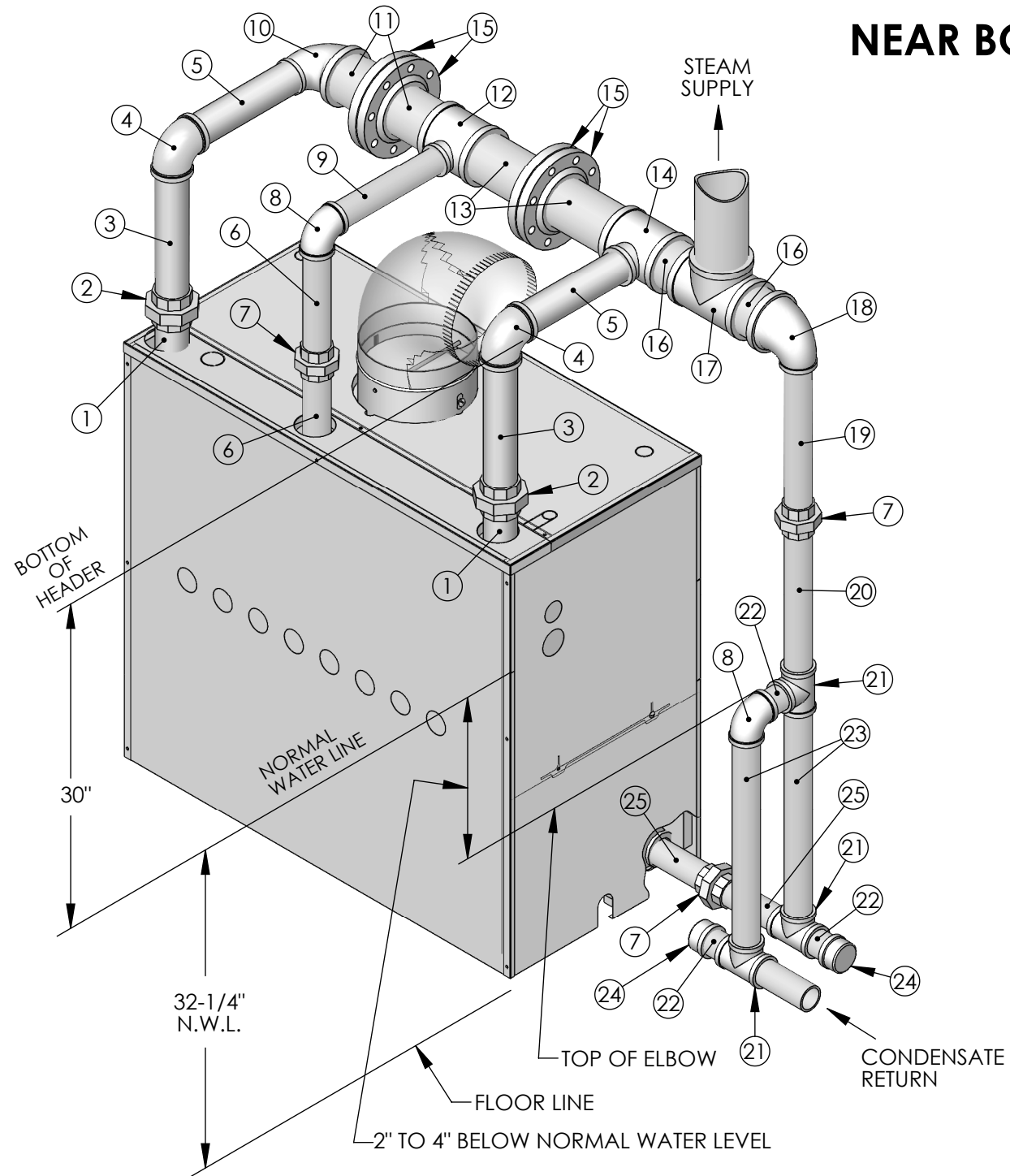


NEAR BOILER PIPING - REAR VENT: MODEL SC(T)-10



ITEM NO.	DESCRIPTION	QTY
1	NIPPLE - 2-1/2 X 8	2
2	UNION - 2-1/2	2
3	NIPPLE - 2-1/2 X 14	2
4	ELBOW - 2-1/2	2
5	NIPPLE - 2-1/2 X 13	2
6	NIPPLE - 2 X 11	2
7	UNION - 2	3
8	ELBOW - 2	2
9	NIPPLE - 2 X 13	1
10	REDUCING ELBOW - 4 X 2-1/2	1
11	NIPPLE - 4 X 6	2
12	REDUCING TEE - 4 X 4 X 2	1
13	NIPPLE - 4 X 9	2
14	REDUCING TEE - 4 X 4 X 2-1/2	1
15	PIPE FLANGE, THREADED - 4	4
16	NIPPLE - 4 X 4	2
17	TEE - 4	1
18	REDUCING ELBOW - 4 X 2	1
19	NIPPLE - 2 X 15-1/2	1
20	NIPPLE - 2 X 15	1
21	TEE - 2	3
22	NIPPLE - 2 X 3	3
23	NIPPLE - 2 X 22	2
24	CAP - 2	2
25	NIPPLE - 2 X 7	2

NOTE: Nipple lengths may require modification due to variations in thread engagement and machining. Contractor should carry assorted length nipples. Not responsible for discrepancies.

SC8039 R1