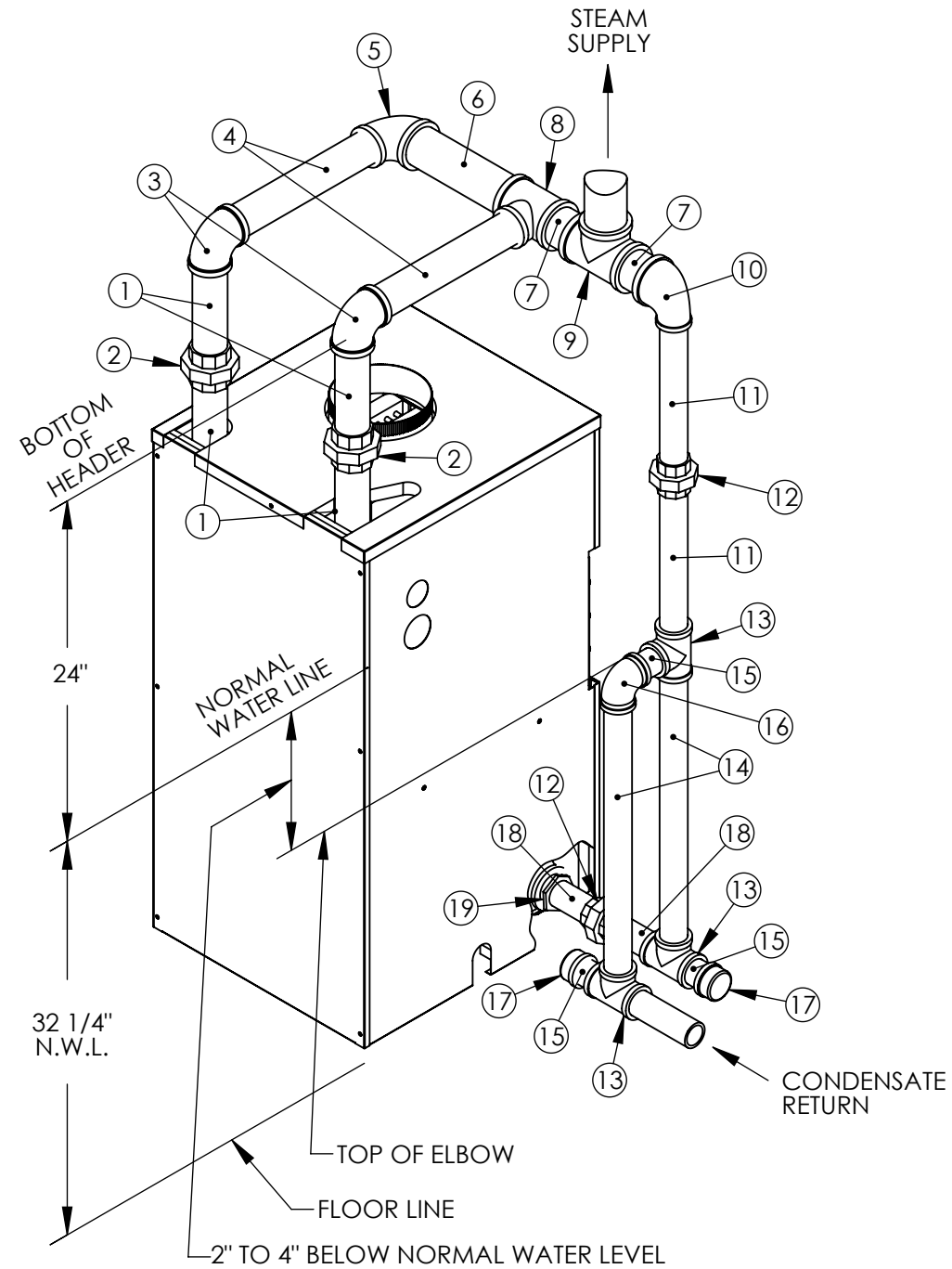


NEAR BOILER PIPING - DUAL SUPPLY: MODEL EC(T)-04



| ITEM NO. | DESCRIPTION | QTY |
|----------|----------------------------------|-----|
| 1 | NIPPLE - 2 X 8 | 4 |
| 2 | UNION - 2 | 2 |
| 3 | ELBOW - 2 | 2 |
| 4 | NIPPLE - 2 X 14 | 2 |
| 5 | REDUCING ELBOW - 2 X 2-1/2 | 1 |
| 6 | NIPPLE - 2-1/2 X 10-1/2 | 1 |
| 7 | NIPPLE - 2-1/2 X 3-1/2 | 2 |
| 8 | REDUCING TEE - 2-1/2 X 2-1/2 X 2 | 1 |
| 9 | TEE - 2-1/2 | 1 |
| 10 | REDUCING ELBOW - 2-1/2 X 1-1/2 | 1 |
| 11 | NIPPLE - 1-1/2 X 12-1/2 | 2 |
| 12 | UNION - 1-1/2 | 2 |
| 13 | TEE - 1-1/2 | 3 |
| 14 | NIPPLE - 1-1/2 X 23 | 2 |
| 15 | NIPPLE - 1-1/2 X 2-1/2 (SHORT) | 3 |
| 16 | ELBOW - 1-1/2 | 1 |
| 17 | CAP - 1-1/2 | 2 |
| 18 | NIPPLE - 1-1/2 X 4-1/2 | 2 |
| 19 | HEX BUSHING - 2 X 1-1/2 | 1 |

NOTE: Nipple lengths may require modification due to variations in thread engagement and machining. Contractor should carry assorted length nipples. Not responsible for discrepancies.

EC8054 R2