

The information in this supplement supersedes and updates information shown in the Series GM™ Installation, Operation, and Maintenance Manual (GM8065 R14) for GM-e models. Residential models of the Series GM™ have been upgraded to meet U.S. DOE minimum efficiency requirements which become effective January 15, 2021. Revised ratings for new models are below. Remaining information shown in the boiler manual applies to GM-e models of the same boiler size.

The venting information below supersedes some information shown in the Venting Section of the boiler manual (Section 4).

A. DRAFT HOOD

Blocked Vent Switch - Attach blocked vent switch assembly to draft hood as shown in figure. Assembly includes a factory installed adapter plate to connect the 5/8" diameter switch to the 1" diameter hole in the draft hood. To adjust harness length, squeeze strain relief bushing to release from jacket.

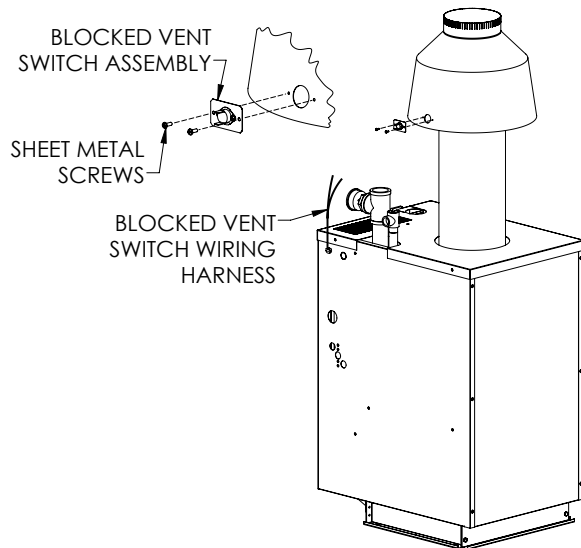


Figure 4.1: Draft Hood and Blocked Vent Switch Installation

B. VENT DAMPER / VENT REDUCER

Install vent reducer on outlet of vent damper. See figures for vertical installation and horizontal installation. See boiler manual and vent damper manual for details regarding vent damper installation.

Venting system size and construction are to be in accordance with current edition of National Fuel Gas Code, ANSI Z223.1/ NFPA 54, or applicable provisions of local building codes, or CAN/CGA B149 Installation Codes. See boiler manual for additional information.

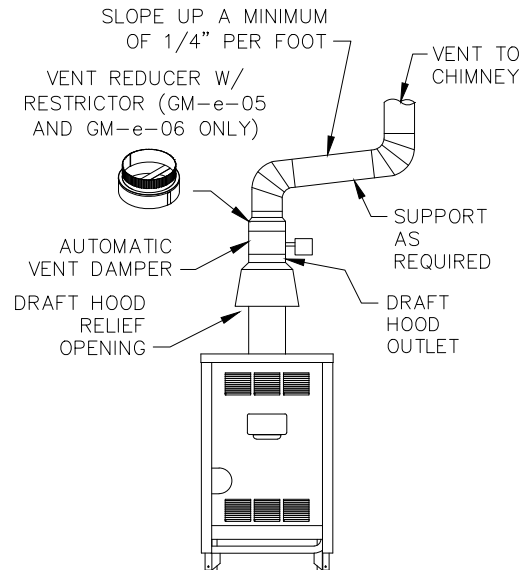


Figure 4.3: Venting with Vent Damper in Vertical Position

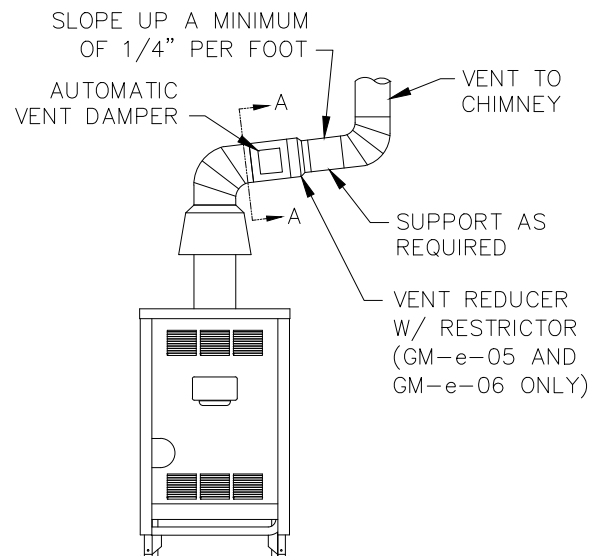


Figure 4.4: Venting with Vent Damper in Horizontal Position

The Start-up information below supersedes some information shown in the Start-up Section of the boiler manual (Section 8).

The Boiler Dimensions and Ratings information below supersedes some information shown in the Boiler Dimensions & Ratings Section of the boiler manual (Section 11).

D. CHECKING BURNER INPUT

Checking Boiler Input – See table 11.2 below for boiler input ratings. Follow all instructions in boiler manual to check boiler input.

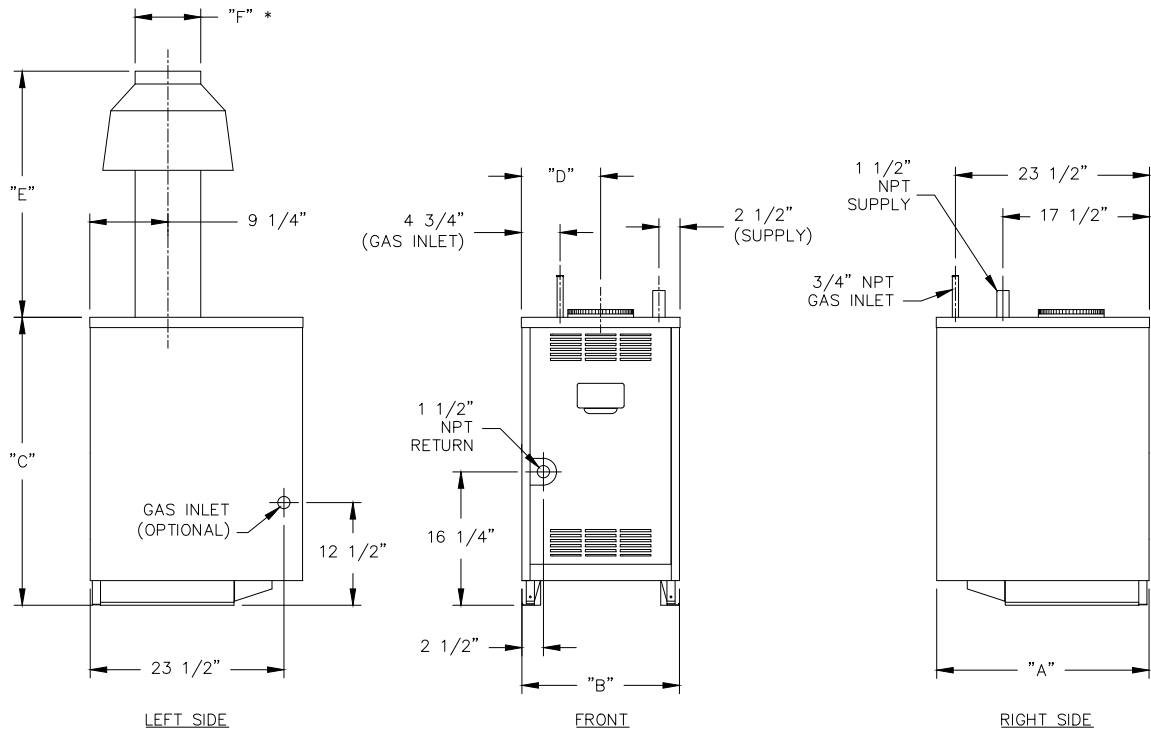


Figure 11.1: Boiler Views

Table 11.1: Series GM™ Boiler Dimensions

SERIES GM™ BOILER DIMENSIONS						
Boiler Model Number	Jacket Depth "A"	Jacket Width "B"	Jacket Height "C"	Left of Jacket to C/L of Draft Hood "D"	Top of Jacket to Draft Hood Outlet "E"	Vent Dia. "F" *
GM-e-05	25-3/4"	19-1/4"	35-1/4"	9-3/4"	29"	7" *
GM-e-06	25-3/4"	22-3/4"	35-1/4"	11-1/2"	30"	8" *

* Vent Diameter is determined by outlet diameter of vent reducer (provided) installed on outlet of vent damper. 8" to 7" reducer on GM-e-05, 9" to 8" reducer on GM-e-06.

Table 11.2: Series GM™ Boiler Ratings

Series GM™ Boiler Ratings					Input, kW	Output, kW	Net Ratings Water, kW
Boiler Model Number	Input, MBH	Heating Capacity ¹ , MBH	Net Ratings ² , MBH	AFUE ¹ , %			
GM-e-05	214.5	182	158	84.2	62.9	53.3	46.3
GM-e-06	268	226	197	84.0	78.5	66.2	57.7

¹ Heating Capacity and Annual Fuel Utilization Efficiency (AFUE) ratings are based on U.S. Government test.

² Net water ratings based on an allowance of 1.15. Additional allowance is required before selecting a boiler for installations having unusual piping and pickup requirements, such as intermittent system operation, extensive piping systems, etc.

The Repair Parts information below supersedes some information shown in the Repair Parts Section of the boiler manual (Section 12).

GM-e Repair Parts

Description	Boiler Model	Quantity Required	Stock Code
Flue Baffle	GM-e-05	4	51616
	GM-e-06	5	51616
Vent Reducer with Restrictor	GM-e-05	1	50373
	GM-e-06	1	50374
Blocked Vent Switch, 210°F	GM-e-05/06	1	50040
Orifice Spud, #42 Natural Gas	GM-e-05	8	7159
	GM-e-06	10	7159
Orifice Spud, #53 LP Gas	GM-e-05	8	50774
	GM-e-06	10	50774
Flue Collector	GM-e-05	1	90975
	GM-e-06	1	91086