

Series CC™

Commercial Boiler Available with Tankless Coils



Standard Equipment

- High Efficiency Power Burners
- Front and Rear Observation Port
- Hi-Temp Port Seals
- Insulated Enameled Steel Jacket
- Cast Iron Flue Collector with Integral Damper
- Manual Reset, Limit Control

Series CC™ Boiler Features

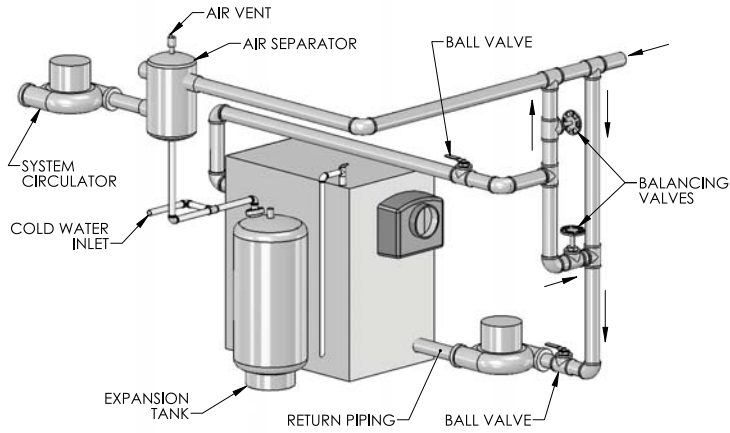
- Side-mounted Tankless 9 GPM Coils – for Quick and Easy Visual Inspection and Service
- Constructed of Rugged, Cast Iron, Wet-Base Sections, Tested for 80 psi
- Oil, Gas or Combination Gas/Oil-fired for Hot Water or Steam Systems
- 10 Sizes, 3–12 Sections—Ideal for Commercial Applications
- Forced Draft Firing for the Highest Possible Efficiencies

Optional Equipment

- Heater Cover Plates
- Assembled Sections
- Packaged
- Low Water Cut-off
- Feeder and Pump Controllers
- Inspection Taps and Brass Plugs (Up to Three per Section)
- Tankless Water Heaters
- 80 psi Pressure Relief Valve (Water Boilers)

All commercial cast iron boilers include a full one-year warranty. A limited, ten-year warranty is provided on the cast iron sections for all commercial hot water and steam boilers. Visit PeerlessBoilers.com for complete details.

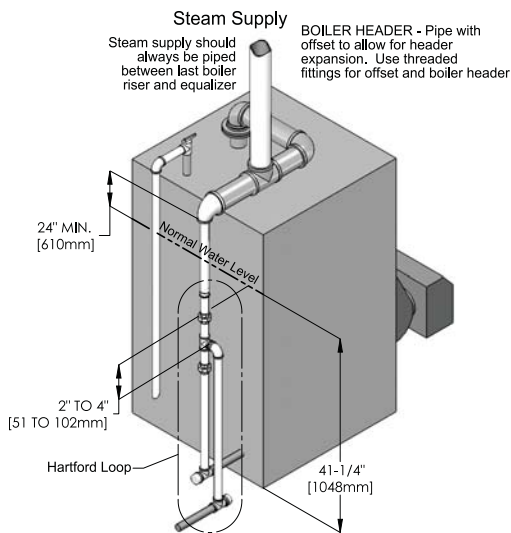
Water Piping



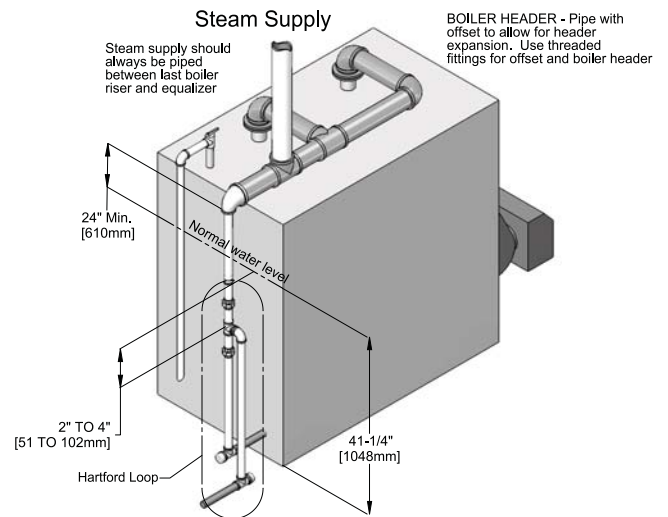
Boiler Piping (Water)

| Boiler Model Number | Gross Output (MBH) | Flow Rate @20 F Rise (GPM) | Recommended | |
|---------------------|--------------------|----------------------------|-------------------|-------------------|
| | | | Supply Size (NPT) | Return Size (NPT) |
| CC-03 | 308 | 31 | 2" | 2" |
| CC-04 | 421 | 42 | 2" | 2" |
| CC-05 | 587 | 59 | 2 1/2" | 2 1/2" |
| CC-06 | 762 | 76 | 3" | 3" |
| CC-07 | 924 | 92 | 3" | 3" |
| CC-08 | 1087 | 109 | 3" | 3" |
| CC-09 | 1262 | 126 | 3" | 3" |
| CC-10 | 1424 | 142 | 3" | 3" |
| CC-11 | 1587 | 159 | 4" | 3" |
| CC-12 | 1750 | 175 | 4" | 3" |

Steam Piping



FOR BOILERS WITH ONE RISER



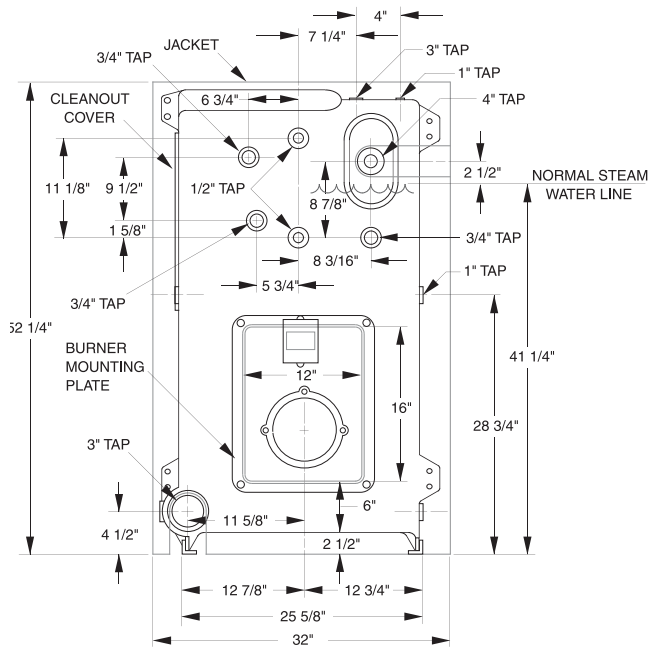
FOR BOILERS WITH TWO RISERS

Boiler Piping (Steam)

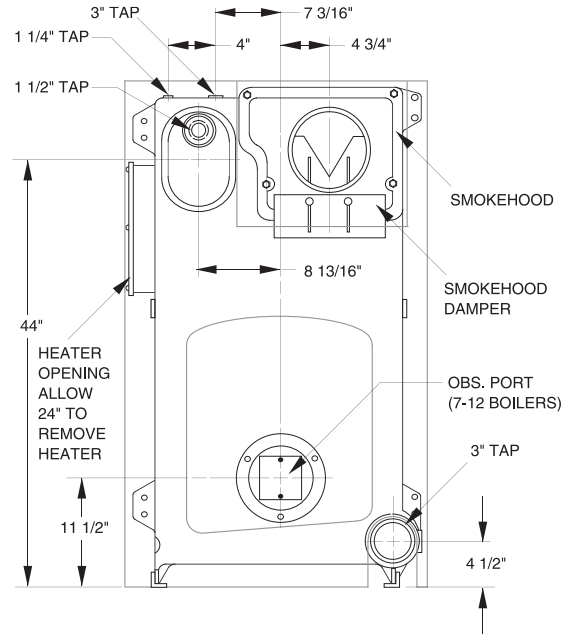
| Boiler Model Number | Number of 3" NPT Risers | Header Size (NPT) | Equalizer Size (NPT) |
|---------------------|-------------------------|-------------------|----------------------|
| CC-03 to CC-05 | 1 | 3" | 1-1/2" |
| CC-06 to CC-10 | 2 | 4" | 2" |
| CC-11 & CC-12 | 2 | 5" | 2-1/2" |

Burner Specifications

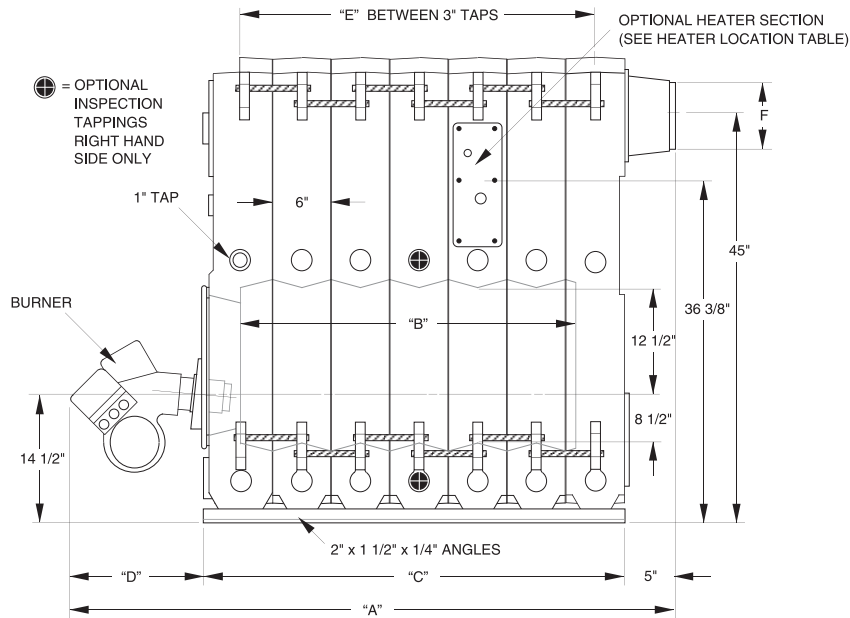
| Boiler Model Number | Burners - Light Oil | | | | | | Burners - Gas | | Burners - Gas/Oil | |
|---------------------|---------------------|------|-----------|------|-------------|-------|---------------|-------|-------------------|-------|
| | Beckett | | Carlin | | Power Flame | | Power Flame | | Power Flame | |
| | Model No. | H.P. | Model No. | H.P. | Model No. | H.P. | Model No. | H.P. | Model No. | H.P. |
| CC-03 | CF500 | 1/3 | 201CRD | 1/4 | - | - | JR15A | 1/4 | - | - |
| CC-04 | CF500 | 1/3 | 301CRD | 1/4 | CR1-0 | 1/3 | JR15A | 1/4 | CR1-GO | 1/3 |
| CC-05 | CF800 | 1/3 | 301CRD | 1/4 | CR1-0 | 1/3 | JR30A | 1/3 | CR1-GO | 1/3 |
| CC-06 | CF1400 | 1/2 | 702CRD | 1/2 | CR1-0 | 1/2 | JR30A | 1/3 | CR1-GO | 1/2 |
| CC-07 | CF1400 | 1/2 | 702CRD | 1/2 | CR2-0 | 3/4 | JR30A | 1/3 | CR2-GO | 3/4 |
| CC-08 | N/A | N/A | 702CRD | 1/2 | CR2-0 | 3/4 | JR50A | 1/3 | CR2-GO | 3/4 |
| CC-09 | CF2300 | 3/4 | 702CRD | 1/2 | CR2-0 | 3/4 | JR50A | 1/3 | CR2-GO | 3/4 |
| CC-10 | CF2300 | 3/4 | 801CRD | 3/4 | CR2-0 | 3/4 | JR50A | 1/2 | CR2-GO | 3/4 |
| CC-11 | CF2500 | 2 | 801CRD | 3/4 | CR2-0 | 1 | CR2G | 1 | CR2-GO | 1 |
| CC-12 | CF2500 | 2 | 801CRD | 3/4 | CR2-0 | 1-1/2 | CR2G | 1-1/2 | CR2-GO | 1-1/2 |



FRONT VIEW



REAR VIEW



SIDE VIEW

Boiler Dimensions

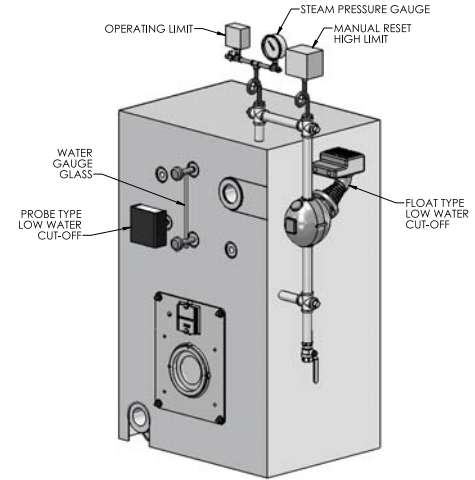
| Boiler Model Number | Overall Length - "A" (inch) | | | | Firebox Length "B" (inch) | Boiler Length "C" (inch) | Burner Length "D" (inch) | | | | Riser Tapping Location "E" (inch) ¹ | Diameter of Vent Connector "F" (inch) |
|---------------------|-----------------------------|---------------|---------------|-------------|---------------------------|--------------------------|--------------------------|---------------|---------------|-------------|--|---------------------------------------|
| | Carlin | Power Flame/J | Power Flame/C | Beckett Oil | | | Carlin | Power Flame/J | Power Flame/C | Beckett Oil | | |
| CC-03 | 39 | 44 | N/A | 31 | 9 | 18 | 16 | 21 | N/A | 13 | 12 | 7 |
| CC-04 | 45 | 50 | 59 | 37 | 15 | 24 | 16 | 21 | 30 | 13 | 18 | 7 |
| CC-05 | 51 | 56 | 65 | 43 | 21 | 30 | 16 | 21 | 30 | 13 | 24 | 8 |
| CC-06 | 61 | 62 | 71 | 49 | 27 | 36 | 20 | 21 | 30 | 13 | 30 | 8 |
| CC-07 | 67 | 68 | 82 | 64 | 33 | 42 | 20 | 21 | 35 | 22 | 36 | 9 |
| CC-08 | 73 | 74 | 88 | N/A | 39 | 48 | 20 | 21 | 35 | 23 | 42 | 10 |
| CC-09 | 79 | 80 | 94 | 77 | 45 | 54 | 20 | 21 | 35 | 23 | 48 | 10 |
| CC-10 | 87 | 86 | 100 | 83 | 51 | 60 | 22 | 21 | 35 | 23 | 54 | 10 |
| CC-11 | 93 | N/A | 106 | 89 | 57 | 66 | 22 | N/A | 35 | 23 | 60 | 12 ² |
| CC-12 | 99 | N/A | 112 | 99 | 63 | 72 | 22 | N/A | 35 | 27 | 66 | 12 ² |

Notes: 1. Dimensions between risers are approximate.
 2. Models CC-11 and CC-12 use a 10"(254mm) to 12" (305mm) flue adapter.

Tankless Heater Location

| | | | | | | | | | | | | | | | | | | | | |
|---------|---|---|---|---|---|---|---|---|---|---|---|---|--|--|--|--|--|--|--|--|
| 3 SECT | F | H | B | | | | | | | | | | | | | | | | | |
| 4 SECT | F | P | H | B | | | | | | | | | | | | | | | | |
| 5 SECT | F | H | P | H | B | | | | | | | | | | | | | | | |
| 6 SECT | F | P | H | P | H | B | | | | | | | | | | | | | | |
| 7 SECT | F | P | P | H | P | H | B | | | | | | | | | | | | | |
| 8 SECT | F | P | P | P | H | P | H | B | | | | | | | | | | | | |
| 9 SECT | F | P | H | P | H | P | H | P | B | | | | | | | | | | | |
| 10 SECT | F | P | P | H | P | H | P | H | P | B | | | | | | | | | | |
| 11 SECT | F | P | P | P | H | P | H | P | H | P | B | | | | | | | | | |
| 12 SECT | F | P | P | P | P | H | P | H | P | H | P | B | | | | | | | | |

F = Front Section
P = Plain Intermediate Section
H = Heater Intermediate Section - Optional, must be ordered.
B = Back Section

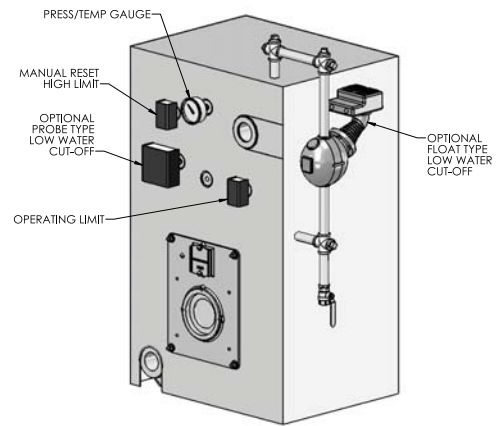


CONTROL LOCATIONS (Steam Boiler)

Side-Mounted Tankless Heater Capacities

| Number Of Sections | I=B=R Gross Output (MBH) | Cont. Draw (GPM) | | |
|--------------------|--------------------------|------------------|------------|--------------|
| | | One Heater | Two Heater | Three Heater |
| 3 | 308 | 8.5 | N/A | N/A |
| 4 | 421 | 8.5 | N/A | N/A |
| 5 | 587 | 9.0 | 10.6 | N/A |
| 6 | 762 | 9.0 | 12.9 | N/A |
| 7 | 924 | 9.0 | 15.3 | N/A |
| 8 | 1087 | 9.0 | 17.6 | N/A |
| 9 | 1262 | 9.0 | 18.0 | 19.9 |
| 10 | 1424 | 9.0 | 18.0 | 22.2 |
| 11 | 1587 | 9.0 | 18.0 | 24.6 |
| 12 | 1750 | 9.0 | 18.0 | 26.9 |

Note: Heater ratings based on 100° F. temperature rise, 200° F. boiler water, 9 GPM at 9.5 psi Ø P. For 180° boiler water ratings, consult factory.



CONTROL LOCATIONS (Water Boiler)

Boiler Ratings

| Series CC™ | | | | | | | | | | Water Content | | Furnace Volume (Cu.Ft.) | Boiler Working Weight (lbs) | Heating Surface (sqft) | |
|---------------------|-----------|------|---------------|------------------|------------|------|-----------|------------------|------------------|---------------|-----------------|-------------------------|-----------------------------|------------------------|-----------------|
| Boiler Model Number | Oil Input | | Gas Input MBH | Gross Output MBH | NET | | | Oil Thermal Effy | Gas Thermal Effy | Boiler H.P. | Steam (Gallons) | | | | Water (Gallons) |
| | GPH | MBH | | | Steam sqft | MBH | Water MBH | | | | | | | | |
| CC-03 | 2.6 | 364 | 375 | 308 | 963 | 231 | 268 | 84.6 | 82.1 | 9.2 | 33 | 38 | 2.12 | 1716 | 23.9 |
| CC-04 | 3.6 | 504 | 520 | 421 | 1316 | 316 | 366 | 84.1 | 81.5 | 12.5 | 41 | 49 | 3.50 | 2122 | 35.8 |
| CC-05 | 5.0 | 700 | 722 | 587 | 1825 | 441 | 510 | 83.9 | 81.3 | 17.5 | 49 | 59 | 4.88 | 2528 | 47.7 |
| CC-06 | 6.5 | 910 | 938 | 762 | 2382 | 572 | 663 | 83.7 | 81.2 | 22.8 | 56 | 70 | 6.27 | 2933 | 59.7 |
| CC-07 | 7.9 | 1106 | 1140 | 924 | 2888 | 694 | 803 | 83.5 | 81.1 | 27.6 | 64 | 80 | 7.65 | 3339 | 71.6 |
| CC-08 | 9.3 | 1302 | 1342 | 1087 | 3398 | 815 | 945 | 83.5 | 81.0 | 32.5 | 72 | 91 | 9.04 | 3745 | 83.5 |
| CC-09 | 10.8 | 1512 | 1559 | 1262 | 3947 | 947 | 1097 | 83.5 | 83.5 | 37.7 | 80 | 102 | 10.42 | 4150 | 95.4 |
| CC-10 | 12.2 | 1708 | 1761 | 1424 | 4506 | 1081 | 1238 | 83.4 | 83.4 | 42.5 | 88 | 112 | 11.81 | 4555 | 107.4 |
| CC-11 | 13.6 | 1904 | 1963 | 1587 | 5071 | 1217 | 1380 | 83.4 | 83.4 | 47.4 | 96 | 123 | 13.20 | 4960 | 119.3 |
| CC-12 | 15.0 | 2100 | 2165 | 1750 | 5635 | 1352 | 1522 | 83.4 | 83.4 | 52.3 | 104 | 133 | 14.58 | 5366 | 131.2 |

Notes: 1. Net Ratings are based on an allowance of 1.15 for Water Boilers. Net Ratings for steam boilers are based on a pick-up factor of 1.333.
2. Burner oil input based on Commercial Standard #2 fuel oil with a heating value of 140,000 BTU/Gal.
3. Burner natural gas input based on natural gas with a heating value of 1,000 BTU/Cu. Ft. and a specific gravity of 0.60.



PeerlessBoilers.com