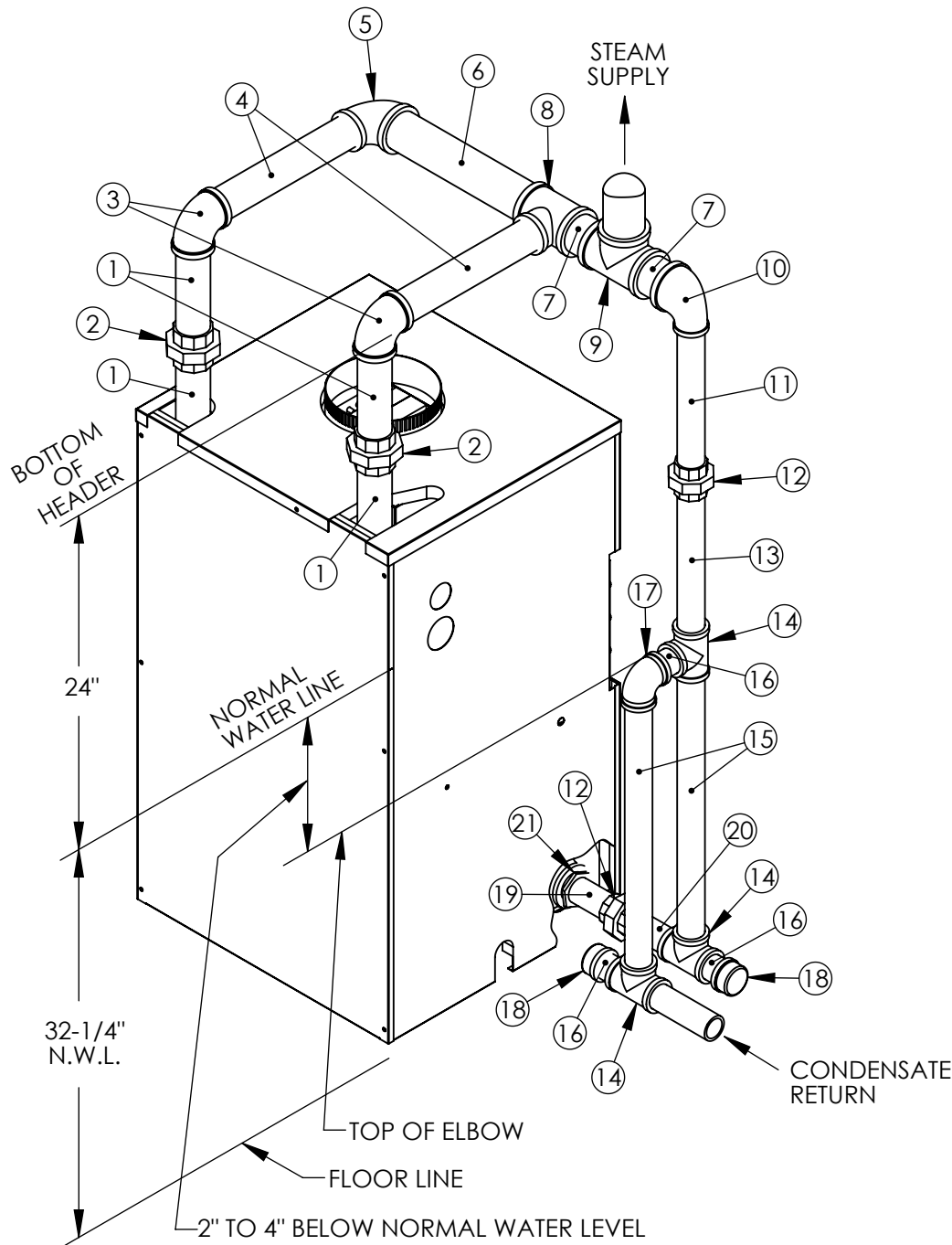


NEAR BOILER PIPING - DUAL SUPPLY: MODELS EC(T)(-e)-05



ITEM NO.	DESCRIPTION	QTY
1	NIPPLE - 2 X 8	4
2	UNION - 2	2
3	ELBOW - 2	2
4	NIPPLE - 2 X 14	2
5	REDUCING ELBOW - 2 X 2-1/2 (175)	1
	REDUCING ELBOW - 3 X 2 (200 & 250)	1
6	NIPPLE - 2-1/2 X 14-1/2 (175)	1
	NIPPLE - 3 X 14-1/2 (200 & 250)	1
7	NIPPLE - 2-1/2 X 3-1/2 (175)	2
	NIPPLE - 3 X 3-1/2 (200 & 250)	2
8	REDUCING TEE - 2-1/2 X 2-1/2 X 2 (175)	1
	REDUCING TEE - 3 X 3 X 2 (200 & 250)	1
9	TEE - 2-1/2 (175)	1
	TEE - 3 (200 & 250)	1
10	REDUCING ELBOW - 2-1/2 X 1-1/2 (175)	1
	REDUCING ELBOW - 3 X 1-1/2 (200 & 250)	1
11	NIPPLE - 1-1/2 X 12-1/2 (175)	1
	NIPPLE - 1-1/2 X 12 (200 & 250)	1
12	UNION - 1-1/2	2
13	NIPPLE - 1-1/2 X 12-1/2	1
14	TEE - 1-1/2	3
15	NIPPLE - 1-1/2 X 23	2
16	NIPPLE - 1-1/2 X 2-1/2 (SHORT)	3
17	ELBOW - 1-1/2	1
18	CAP - 1-1/2	2
19	NIPPLE - 1-1/2 X 4-1/2 (175)	1
	NIPPLE - 1-1/2 X 5-1/2 (200 & 250)	1
20	NIPPLE - 1-1/2 X 4-1/2 (175)	1
	NIPPLE - 1-1/2 X 4 (200 & 250)	1
21	HEX BUSHING - 2 X 1-1/2	1

NOTE: Nipple lengths may require modification due to variations in thread engagement and machining. Contractor should carry assorted length nipples. Not responsible for discrepancies.