

PeerlessBoilers.com

# Supplement: MI-e to CAS-34U “Fan in a Can” Wiring

These are instructions for wiring the CAS-34U fan to Series MI-e boilers.

## Wiring Diagram:

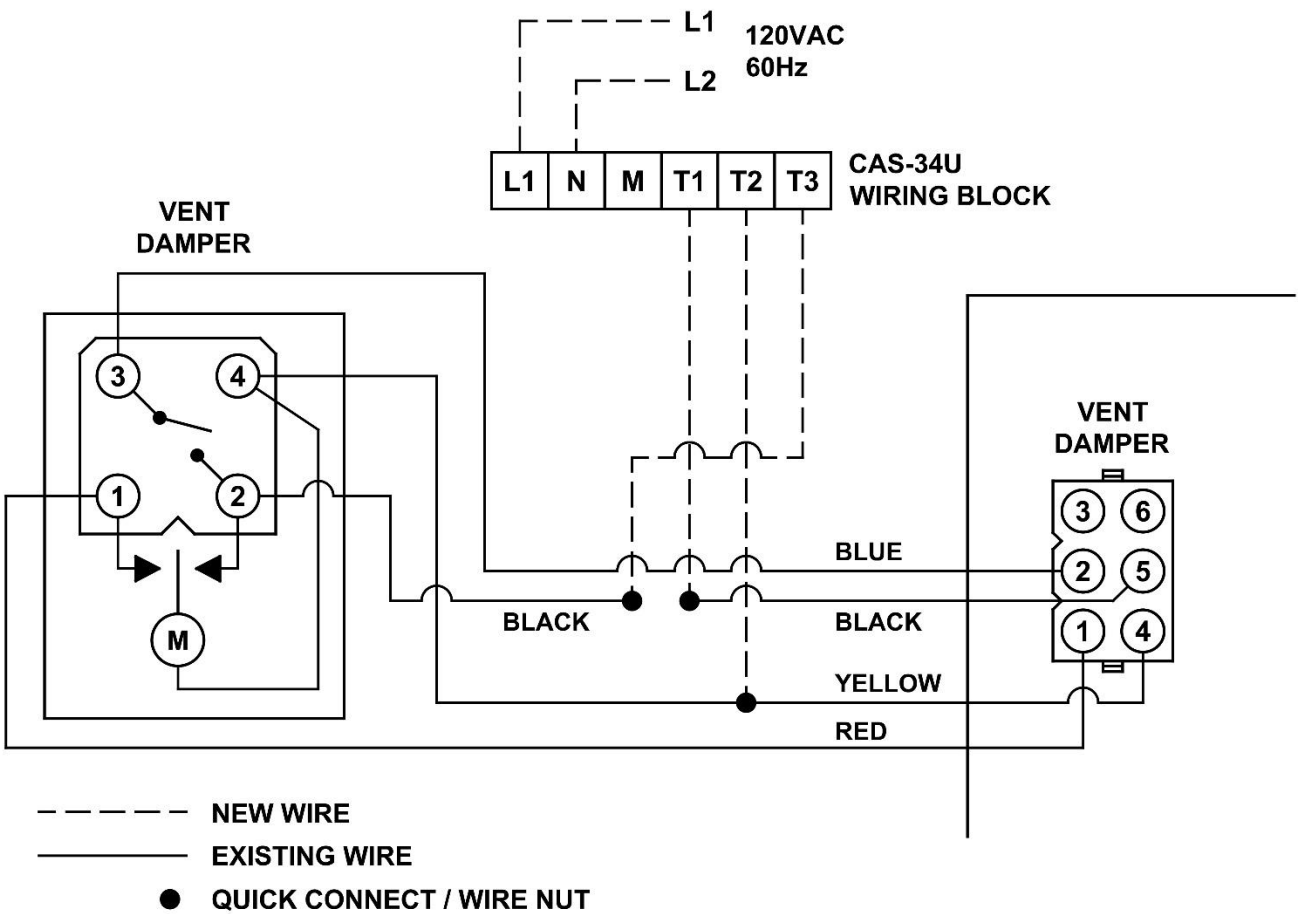


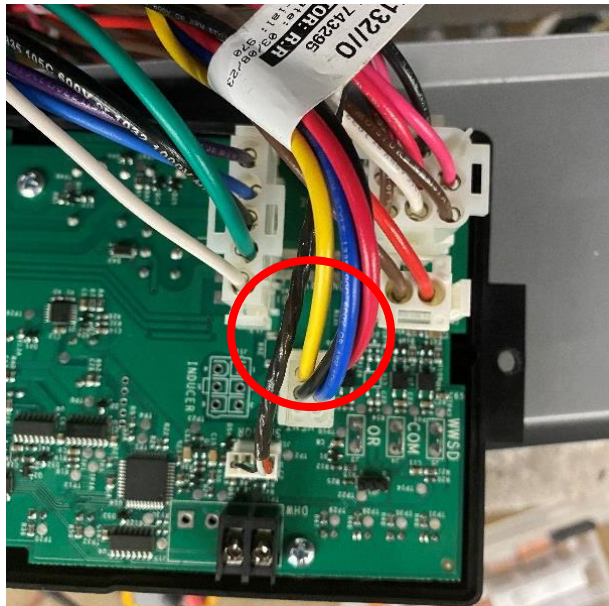
Figure 1: CAS-34U to MI-e wiring diagram



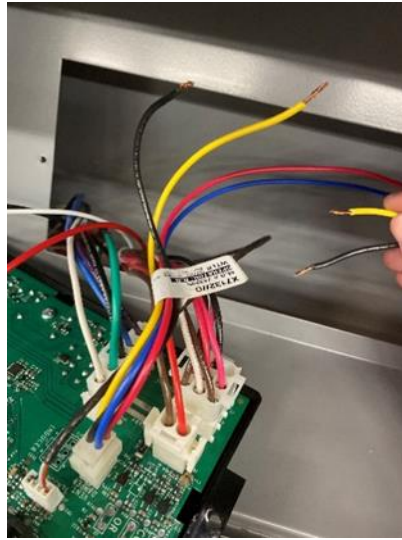
**Figure 2: CAS-34U unit**

**Instructions:**

1. Remove the front panel of the CAS-34U to reveal the wire connections.
2. Remove the two screws holding the Hydrolevel control board on the MI-e to gain access to the boiler wiring.
3. On the vent damper wire clip, locate the yellow and black wires coming from terminals 4 and 5 respectively. Figure 3 below shows the location of the vent damper wire clip on the control board.



**Figure 3: Vent damper wiring location**



**Figure 4: Wires to cut**

4. Cut the black and yellow wires and strip the ends, making sure to leave enough slack on both sides.
5. Run three wires rated for at least 105°C from the T1, T2, and T3 connections on the CAS-34U through the junction box on the side of the boiler to behind the Hydrolevel controller, as seen in Figures 5 and 6 below. Also connect 120VAC and neutral power wiring to the L1 and N terminals respectively.

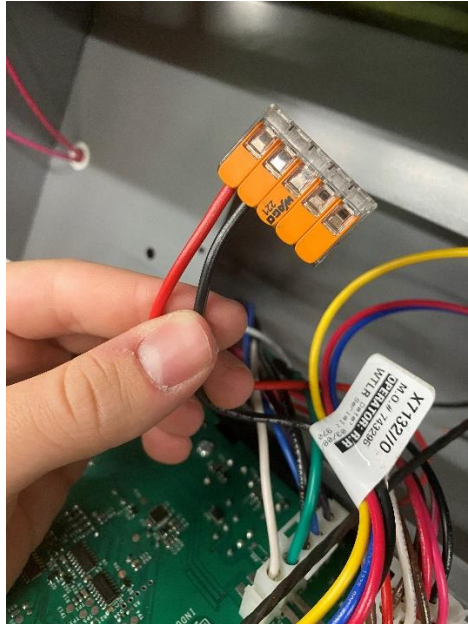


**Figure 5: CAS-34U wire connections**



**Figure 6: Run wires through hole in junction box**

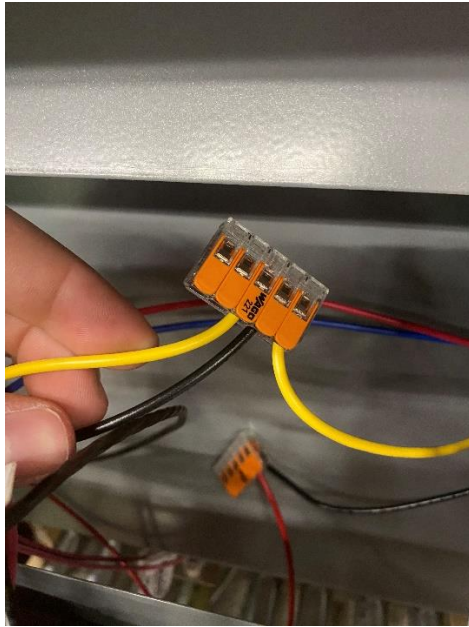
6. Connect the wire coming from T1 to the black wire coming from the vent damper wire clip using a quick connect or wire nut as shown in Figure 7.
7. Connect the wire coming from T3 to the black wire going to the vent damper using a quick connect or wire nut as shown in Figure 8.
8. Connect the wire coming from T2 to the yellow wires from the vent damper using a quick connect or wire nut as shown in Figure 9.



**Figure 7: T1 wire connection**



**Figure 8: T3 wire connection**



**Figure 9: T2 wire connection**

After all wiring is connected and there is a call for heat, the CAS-34U unit should turn on and the vent damper should open. The fan will stay on as long as the boiler is firing and turn off when the call for heat ends. There is a blue light on the CAS-34U board that indicates that the fan has power. This light will stay on regardless of if there is a call for heat or not. Place the cover back on the CAS-34U to shield the internal wiring.

## **PB HEAT, LLC**

131 S. Church Street, Bally, PA 19503  
[www.peerlessboilers.com](http://www.peerlessboilers.com)