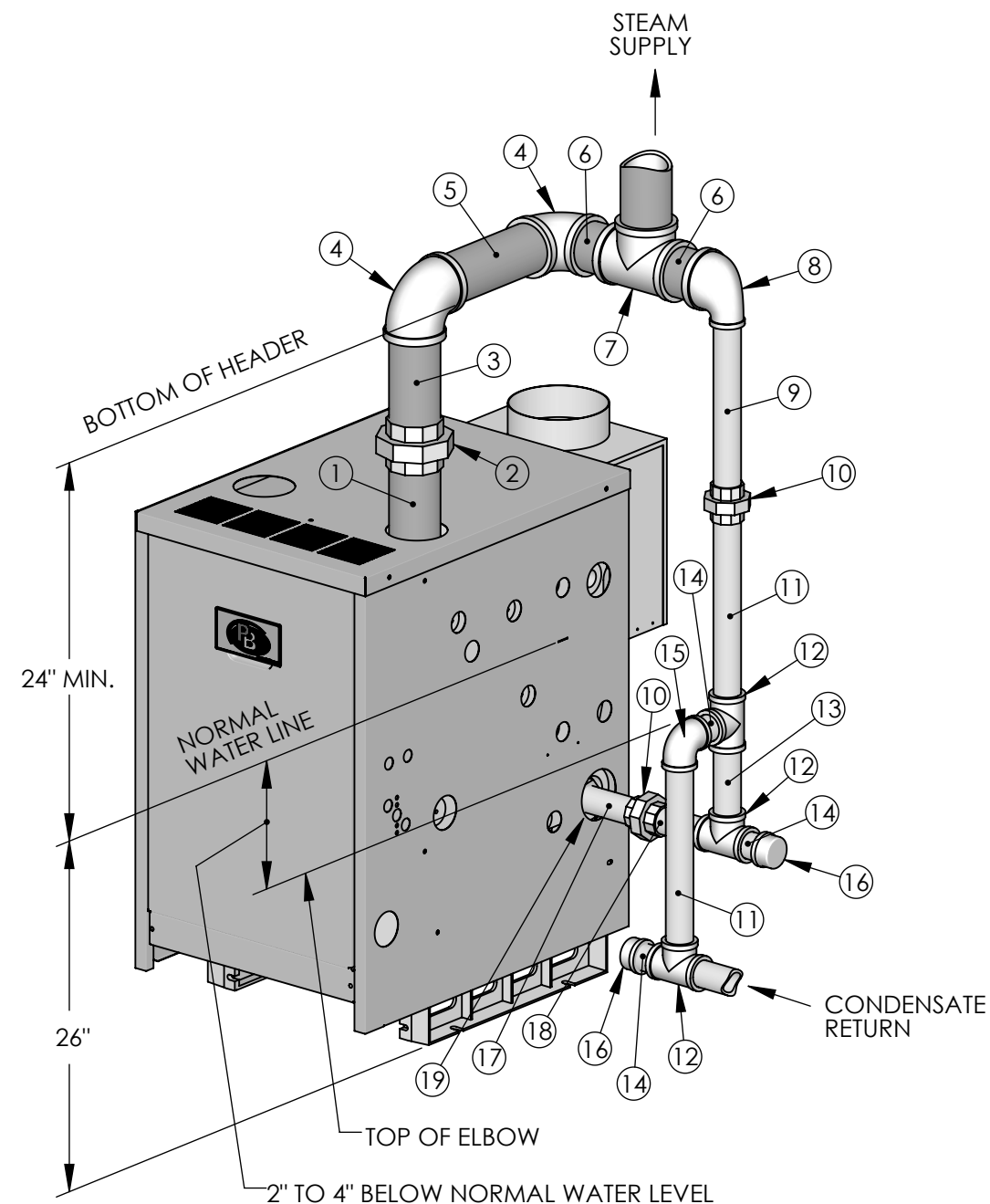


REVISION

2	ECN NO.:	4309
	DRN/DATE:	EAV 2-13-23

CHGD. 64-07 TO 64-e-07

# NEAR BOILER PIPING - SINGLE SUPPLY: MODEL 63-05L/05/06/64-e-07



ITEM NO.	DESCRIPTION	QTY
1	NIPPLE - 3 X 9	1
2	UNION - 3	1
3	NIPPLE - 3 X 8	1
4	ELBOW - 3	2
5	NIPPLE - 3 X 11	1
6	NIPPLE - 3 X 4	2
7	TEE - 3	1
8	REDUCING ELBOW - 3 X 1-1/2	1
9	NIPPLE - 1-1/2 X 13	1
10	UNION - 1-1/2	2
11	NIPPLE - 1-1/2 X 14	2
12	TEE - 1-1/2	3
13	NIPPLE - 1-1/2 X 6	1
14	NIPPLE - 1-1/2 X 2-1/2 (SHORT)	3
15	ELBOW - 1-1/2	1
16	CAP - 1-1/2	2
17	NIPPLE - 1-1/2 X 5-1/2	1
18	NIPPLE - 1-1/2 X 5	1
19	HEX BUSHING - 2-1/2 X 1-1/2	1

TT8117 R2

## PB HEAT LLC

SERIES 64 BOILER

NEAR BOILER PIPING - SINGLE SUPPLY  
MODELS 63-05L, 05, 06 & 64-e-07

SCALE: DRAWING NO.: **TT-8117** REV: **2**

THIS DOCUMENT CONTAINS PROPRIETARY INFORMATION OF PB HEAT LLC AND ITS RECEIPT OR POSSESSION DOES NOT CONVEY ANY RIGHTS TO DISCLOSE ITS CONTENTS, OR TO MANUFACTURE, USE, OR SELL ANYTHING IT MAY DESCRIBE. REPRODUCTION, DISCLOSURE OR USE WITHOUT SPECIFIC WRITTEN AUTHORIZATION OF PB HEAT LLC IS STRICTLY FORBIDDEN

TOLERANCE (UNLESS OTHERWISE NOTED)	SIGNATURES	DATE
FRACTIONAL ±1/32	CHK: A. ROSE	3-27-23
DECIMAL ±.015	ENG: N. KEAN	3-24-23
ANGULAR ±5°	QA: _____	_____
	MFG. APPD: _____	_____

DO NOT SCALE THIS DRAWING - ALL DIMENSIONS ARE INCHES

ECN NO.: 3546 DRN / DATE: EAV 5-5-14 SIZE: B SHEET 1 OF 1