

# Series MI-x

## Gas Boilers

MI-x-03 MI-x-04 MI-x-05 MI-x-06  
MI-x-07 MI-x-08 MI-x-09

### WARNING

**Attention Installer** - Affix these instructions adjacent to boiler. Provide model number and serial number when seeking information and support.

**Attention Building Owner** - Retain these instructions for future reference. Contact a qualified installer, service agency or gas supplier for all issues and support.



## Installation, Operation & Maintenance Manual

### WARNING

**Read these instructions carefully before installing.**

This boiler must only be installed, serviced, or repaired by a qualified installer, service agency or gas supplier. Improper installation, adjustment, alteration, service, or maintenance can cause severe personal injury, death, or substantial property damage. For assistance or additional information, consult a qualified installer, service agency or gas supplier.

- Water Boiler
- Cast Iron
- Chimney Vent
- Gas Fired



PeerlessBoilers.com

<b>Manual Contents</b>	<b>Page</b>
<b>1. Qualified Installer, Service Agency or Gas Supplier</b>	
Read Before Proceeding . . . . .	3
<b>2. User/Homeowner Read Before Proceeding . . . . .</b>	<b>4</b>
<b>3. Specifications . . . . .</b>	<b>5</b>
<b>4. Locating Boiler . . . . .</b>	<b>6</b>
<b>5. Preparing Boiler . . . . .</b>	<b>9</b>
<b>6. Venting . . . . .</b>	<b>9</b>
<b>7. Water Piping . . . . .</b>	<b>12</b>
<b>8. Gas Piping . . . . .</b>	<b>16</b>
<b>9. Electrical . . . . .</b>	<b>17</b>
<b>10. System Start-up and Checkout . . . . .</b>	<b>21</b>
<b>11. Operation . . . . .</b>	<b>25</b>
<b>12. Before Leaving Jobsite . . . . .</b>	<b>27</b>
<b>13. Service and Maintenance . . . . .</b>	<b>28</b>
<b>14. How it Works . . . . .</b>	<b>31</b>
<b>15. Troubleshooting . . . . .</b>	<b>33</b>
<b>16. Service Parts . . . . .</b>	<b>36</b>
<b>Appendix A Combination Refrigeration/Heating System . . . . .</b>	<b>43</b>
<b>Appendix B Water Quality and Boiler Additives . . . . .</b>	<b>44</b>
<b>Appendix C High Altitude Installations . . . . .</b>	<b>45</b>

The City of New York requires a Licensed Master Plumber supervise the installation of this product.

The Massachusetts Board of Plumbers and Gas Fitters has listed the MI-x Series Boiler. See the Massachusetts Board of Plumbers and Gas Fitters website,

[https://licensing.reg.state.ma.us/pubLic/pl\\_products/pb\\_pre\\_form.asp](https://licensing.reg.state.ma.us/pubLic/pl_products/pb_pre_form.asp) for the latest Approval Code or ask your local Sales Representative.

The Commonwealth of Massachusetts requires this product to be installed by a licensed Plumber or Gas fitter.

**The following terms are used throughout this manual to bring attention to the presence of hazards of various risk levels, or to important information concerning product life.**

### **DANGER**

**Indicates a hazardous situation** that, if not avoided, will result in death or serious injury.

### **CAUTION**

**Indicates a hazardous situation** that, if not avoided, could result in minor or moderate injury.

### **WARNING**

**Indicates a hazardous situation** that, if not avoided, could result in death or serious injury.

**NOTICE:** Indicates special instructions on installation, operation, or service which are important but not related to personal injury hazards.

# 1 Qualified Installer, Service Agency or Gas Supplier Read Before Proceeding

## DANGER

### Explosion Hazard.

- DO NOT store or use gasoline or other flammable vapors or liquids in the vicinity of this or any other appliance.
- If you smell gas vapors, DO NOT try to operate any appliance - DO NOT touch any electrical switch or use any phone in the building. Immediately, call the gas supplier from a remotely located phone.
- Follow the gas supplier's instructions or if the supplier is unavailable, contact the fire department.

## WARNING

### This boiler must only be serviced and repaired by skilled and experienced service technicians.

- If any controls are replaced, they must be replaced with identical models.
- Read, understand and follow all the instructions and warnings contained in all the sections of this manual.
- If any electrical wires are disconnected during service, clearly label the wires and assure that the wires are reconnected properly.
- Never jump out or bypass any safety or operating control or component of this boiler.
- Assure that all safety and operating controls and components are operating properly before placing the boiler back in service.
- Annually inspect all vent systems and replace any exhibiting damage or deterioration.

## DANGER

### Asphyxiation Hazard, Burn Hazard, Electrical Shock Hazard.

- Carefully read all instructions in literature packet and posted on boiler before attempting installation, startup, or service of this boiler. Perform steps in order given. Failure to follow all instructions in proper order could result in severe personal injury, death or substantial property damage.
- Use proper personal protective equipment when installing, servicing, or working near this boiler. Materials of construction, flue products, and fuel contain alumina, silica, heavy metals, carbon monoxide, nitrogen oxides, and/or other toxic or harmful substances that can be hazardous to health and life and that are known to the State of California to cause cancer, birth defects, and other reproductive harm.
- Do not disconnect pipe fittings on boiler or in heating system without first verifying system is cool and free of pressure and that your clothing will protect you from a release of hot water or steam. Do not rely solely on boiler temperature and pressure gauge when making this judgement
- Install all guards, cover plates, and enclosures before leaving boiler in operation.
- Disconnect electrical supply before installing or performing maintenance.

### NOTICE:

1. Size boiler properly. A grossly oversized boiler will cycle excessively leading to premature failure of boiler and its components. Warranty does not cover damage from excessive cycling.
2. Systems employing baseboard and/or radiators, use an industry accepted sizing method such as the I=B=R "Residential Hydronic Heating Installation and Design" guide published by the Air Conditioning, Heating and Refrigeration Institute (AHRI).
3. Inspect shipment carefully for signs of damage. Any claim for damage or shortage in shipment must be filed immediately against carrier by consignee. No claims for variances or shortages will be allowed by boiler manufacturer, **unless presented within 60 days after receipt of equipment.**

## 2 User/Homeowner Read Before Proceeding

### WARNING

#### **Asphyxiation Hazard. Fire Hazard.**

- A qualified installer, service agency or gas supplier should annually inspect boiler.
- If you are not qualified to install or service boilers, do not install or service this one.
- Carbon monoxide is an odorless, deadly gas that may be introduced into your home by any malfunctioning fuel burning product or vent system failure. The installer must verify that at least one carbon monoxide alarm has been installed within a residential living space or home following the alarm manufacturer's instructions and applicable local codes before putting the appliance into operation. Consider installing CO alarms near bedrooms in all levels of building to warn you and your family of potential CO exposure.
- Do not block air flow into or around boiler or opening for fresh air into boiler room. Insufficient air may cause the boiler to produce carbon monoxide or start a fire.

**NOTICE:** Protect your home in freezing weather. A power outage, operating control, or component failure will prevent your boiler from lighting. In winter your pipes may freeze and cause extensive property damage. Do not leave heating system unattended during cold weather unless alarms or other safeguards are in place to prevent such property damage.

### CAUTION

#### **Burn Hazard.**

Keep children and pets away from hot surfaces of the boiler including boiler piping, vent piping, and vent terminals.

**NOTICE:** Boiler may leak water or steam at the end of its useful life. Be sure to protect walls, carpets, and valuables from water or steam that could leak from boiler.

**NOTICE:** This boiler contains controls which may cause the boiler to shut down and not restart without service. If damage due to frozen pipes is a possibility, heating system should not be left unattended in cold weather; or appropriate safeguards and alarms should be installed on heating system to prevent damage if boiler is inoperative.

### 3 Specifications


**Table 3-1: Ratings**

Model Number	AFUE %	Input (MBH) <sup>(1)</sup>	DOE Heating Capacity (MBH)	Net AHRI (MBH) <sup>(2)</sup>
MI-x-03	84.0	70	59	51
MI-x-04	84.0	105	88	77
MI-x-05	84.0	140	117	102
MI-x-06	84.0	175	146	127
MI-x-07	84.0	210	176	153
MI-x-08	84.0	245	205	178
MI-x-09	84.0	280	234	203

<sup>(1)</sup> Input ratings can be used for elevations up to 2,000 ft. Refer to Appendix C, High Altitude Installations, for elevations 2,000 ft. or higher.

<sup>(2)</sup> Net AHRI Ratings shown are based on a piping and pickup allowance of 1.15. The manufacturer should be consulted before selecting a boiler for installations having unusual piping and pickup requirements, such as intermittent operation, extensive piping systems, etc.

**Table 3-2: Dimensions and Connections**

Boiler Model	Depth (total)	Width	Height	Supply NPT (in.)	Return NPT (in.)	Vent (in.)	Gas NPT (in.)	Relief Valve NPT (in.)	Drain NPT (in.)
MI-x-03	32	13	40	1¼	1¼	4	½	¾	¾
MI-x-04	32	16	40	1¼	1¼	5	½	¾	¾
MI-x-05	32	19	40	1¼	1¼	6	½	¾	¾
MI-x-06	32	22	40	1¼	1¼	6	½	¾	¾
MI-x-07	34	25	40	1¼	1¼	7	¾	¾	¾
MI-x-08	34	28	40	1¼	1¼	7	¾	¾	¾
MI-x-09	34	31	40	1¼	1¼	8	¾	¾	¾

**Table 3-3: Weights and Volume**

Boiler Model	Shipping Weight (lbs)	Empty Weight (lbs)	Shipping Crate Depth (in.)	Shipping Crate Width (in.)	Shipping Crate Height (in.)	Water Content (gal)
MI-x-03	254	180	39	26	47	2
MI-x-04	304	231	39	26	47	3
MI-x-05	357	284	39	26	47	4
MI-x-06	405	332	39	26	47	5
MI-x-07	462	382	39	35	47	6
MI-x-08	518	438	39	35	47	7
MI-x-09	564	484	39	35	47	8

**Electrical Requirements: 120 VAC, 60 Hz, 1-ph, Less than 12A**

Maximum Allowable Working Pressure - 50 psi. Boiler shipped from factory with a 30 psi safety relief valve.

## 4 Locating Boiler

### Code Requirements

1. Installations must conform to requirements of authority having jurisdiction or, in the absence of such requirements, to *National Fuel Gas Code*, ANSI Z223.1/NFPA 54.
2. All wiring must comply with *National Electrical Code* NFPA 70.
3. Where required by authority having jurisdiction, installation must conform to *Standard for Controls and Safety Devices for Automatically Fired Boilers*, ASME CSD-1.
4. Use the latest edition of all referenced standards unless the authority having jurisdiction explicitly references an earlier edition.

### Location Considerations

1. Provide combustion and ventilation air in accordance with the *National Fuel Gas Code*, ANSI Z223.1/NFPA 54, or applicable provisions of local building codes.
2. If replacing an existing boiler, check for and correct common system problems including:
  - A. System leaks resulting in premature heat exchanger failure from oxygen corrosion or hardness deposits.
  - B. Inadequate freeze protection resulting in system freezing and leaking.
  - C. Dirt or debris left in existing piping if it has not been properly flushed or cleaned.
3. Appliance is listed for installation on combustible flooring and must not be installed on carpeting.
4. Install on level floor. For basement installation provide concrete base if floor is not level or if water may be encountered on floor around boiler.
5. Protect gas ignition system components from water (dripping, spraying, etc.) during appliance operation and service.
6. Locate boiler to avoid water damage in case there is a leak. If boiler must be located in an area sensitive to water damage, install drain pan underneath boiler and pipe to a suitable drain location. Manufacturer will not be held responsible for water damage resulting from this appliance or any of its components.
7. Check for and remove any combustible materials, gasoline, or other flammable liquids from area around boiler.
8. Check for and remove any potential combustion air contaminants from area around boiler. See Table 4-1.  
**NOTICE:** Flue side corrosion caused by contaminants is not covered by warranty.

**Table 4-1: Corrosive Combustion Contaminants and Sources**

Contaminants to avoid:
Spray cans containing chloro/fluorocarbons (CFC's)
Permanent wave solutions
Chlorinated waxes/cleaners
Chlorine-based swimming pool chemicals
Calcium chloride used for thawing
Sodium chloride used for water softening
Refrigerant leaks
Paint or varnish removers
Hydrochloric acid/muriatic acid
Cements and glues
Antistatic fabric softeners used in clothes dryers
Chlorine-type bleaches, detergents, and cleaning solvents found in household laundry rooms.
Adhesives used to fasten building products and other similar products
Excessive dust and dirt

Areas likely to have contaminants:
Dry cleaning/laundry areas and establishments
Swimming pools
Metal fabrication plants
Beauty shops
Refrigeration repair shops
Photo processing plants
Auto body shops
Plastic manufacturing plants
Furniture refinishing areas and establishments
New building construction
Remodeling areas
Garages with workshops

### Clearances

1. Provide clearances between boiler jacket and combustible material in accordance with authority having jurisdiction. Minimum clearances to combustible material shown in Figure 4-1 and 4-2.
2. **Recommend 24 in. service clearance from left side, right side and front.**  
**NOTICE:** If recommended service clearances are not provided, it may be necessary to remove boiler for service.
3. Boiler must not be installed on carpeting.

## 4 Locating Boiler *(continued)*

### **Before Removing Existing Boiler**

Take pictures and measure and/or mark existing steam and condensate return piping to ensure proper re-piping of new boiler. Support existing piping before disconnecting to prevent change in pitch.

### **After Removing Existing Boiler**

When an existing boiler is removed from a common venting system, the common venting system is likely to be too large for proper venting of appliances remaining connected to it.

At time of removal of an existing boiler, the following steps must be followed with each appliance remaining connected to the common venting system placed in operation, while the other appliances remaining connected to the common venting system are not in operation:

1. Seal any unused openings in the common venting system.
2. Visually inspect venting system for proper size and horizontal pitch and determine there is no blockage or restriction, leakage, corrosion, and other deficiencies which could cause an unsafe condition.
3. Insofar as is practical, close all building doors and windows and all doors between the space in which the appliances remaining connected to the common venting system are located and other spaces of building. Turn on clothes dryers and any appliance not connected to the common venting system. Turn on any exhaust fans, such as range hoods and bathroom exhausts, so they will operate at maximum speed. Do not operate a summer exhaust fan. Close fireplace dampers.
4. Place in operation appliance being inspected. Follow Operating Instructions. See Figure 10-1. Adjust thermostat so appliance will operate continuously.
5. Test for spillage at draft hood relief opening after 5 minutes of main burner operation. Use flame of a match or candle, or smoke from a cigarette, cigar or pipe.
6. After it has been determined that each appliance remaining connected to the common venting system properly vents when tested as outlined above, return doors, windows, exhaust fans, fireplace dampers and any other gas-burning appliance to their previous condition of use.
7. Any improper operation of the common venting system must be corrected so the installation conforms with the *National Fuel Gas Code, ANSI Z223.1/NFPA 54*. When resizing any portion of the common venting system, the common venting system must be resized to approach minimum size as determined using appropriate tables in the *National Fuel Gas Code, ANSI Z223.1/NFPA 54*.

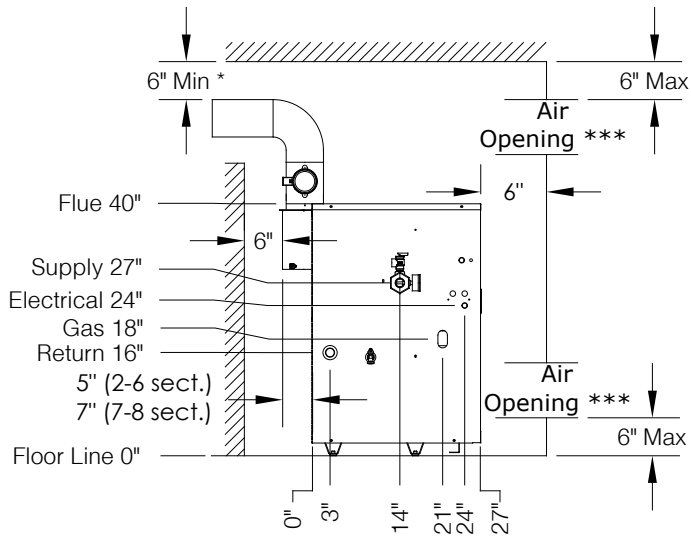
## 4 Locating Boiler *(continued)*

### ⚠ WARNING

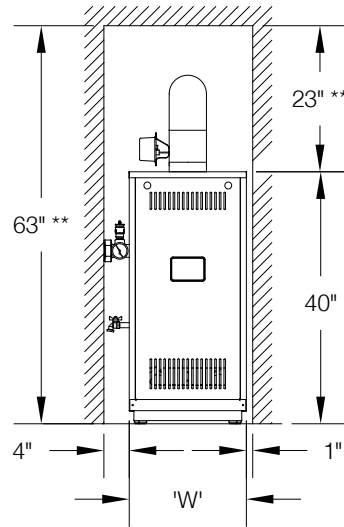
Adequate combustion and ventilation air must be provided to assure proper combustion.

### ⚠ WARNING

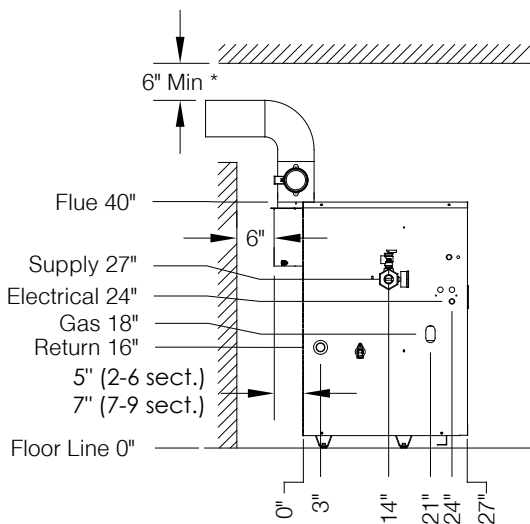
ASSURE THAT THE FRONT AIR DAM is in place and undamaged. A damaged front air dam will negatively affect the performance of this boiler, which can cause serious property damage, personal injury or death.



**Figure 4-1: Minimum Closet Clearances - 3-8 Section Boilers**



Model	"W"
MI-x-03	13 in.
MI-x-04	16 in.
MI-x-05	19 in.
MI-x-06	22 in.
MI-x-07	25 in.
MI-x-08	28 in.
MI-x-09 (Alcove only)	31 in.



**Figure 4-2: Minimum Alcove Clearances - 3-9 Section Boilers**

\* Minimum radial clearance around vent pipe and breaching for single-wall metal pipe vent connector. Otherwise, follow vent connector manufacturer's recommended clearances.

\*\* Additional height required to maintain 6 in. clearance from all breaching components. Vent damper may be installed in vertical or horizontal section of vent connector within reach of vent damper harness.

\*\*\* Area of each opening to be 1 sq. inch for each 1,000 BTU/hr (1 MBH) input - with minimum of 100 sq. inches. Height of opening should be half of width. 3 in. minimum dimension for air openings.



## 5 Preparing Boiler

### DANGER

Use precautions and appropriate rigging apparatus when moving heavy objects.

### CAUTION

Do not drop boiler. Do not bump boiler jacket against floor.

### Unpack boiler

1. Move boiler to approximate installed position.
2. Remove all crate fasteners.
3. Lift outside container and remove with all other inside protective spacers and bracing. Save two of the wooden slats from the container sleeve for use in Steps 5 and 6.

4. Remove all boiler hold-down fasteners.
5. Tilt the boiler to one side and slide a wooden slat under the two raised feet.
6. Tilt the boiler to the other side and slide another wooden slat under the two raised feet.
7. Slide the boiler forward or backward off the skid using the two wooden slats as runners.
8. Move boiler to its permanent location.

## 6 Venting

### General

### DANGER

#### Asphyxiation Hazard.

- Failure to vent this boiler in accordance with these instructions could cause products of combustion and/or carbon monoxide to enter living space, resulting in severe personal injury, death or substantial property damage.
  - Vent installation shall be in accordance with local codes, authority having jurisdiction or *National Fuel Code, ANSI Z223.1/NFPA 54* or applicable requirements of the local building codes.
  - Follow instructions in Section 4 Locating Boiler when removing a boiler from an existing vent system.
  - Maintain clearances to vent piping and draft hood per Figures 4-1 and 4-2.
  - Do not use CPVC, PVC, Polypropylene or any other non-metallic vent pipe.
1. Locate boiler as close to chimney as possible. See Figure 4-1 and 4-2 for minimum clearances.
  2. Install vent system in accordance with local codes, authority having jurisdiction or *National Fuel Gas Code, ANSI Z223.1/NFPA 54*. Boilers are Category I, draft hood equipped appliances.

#### A. Acceptable Chimneys.

- i. Listed Type B or Type L gas vent. Install in accordance with manufacturer's installation instructions, local codes, authority having jurisdiction or *National Fuel Gas Code, ANSI Z223.1/NFPA 54*.
- ii. Masonry chimney. Build and install in accordance with local codes, authority having jurisdiction or *Standard for Chimney's Fireplaces, Vents and Solid Fuel Burning Appliances, NFPA 211*.

#### B. Acceptable Vent Connections.

- i. Listed Type B or Type L gas vent.
- ii. Single wall galvanized vent. Use 0.018 in. (26 gauge or heavier). The size and location of the chimney may not permit the use of a single wall connector in some cases. See *National Fuel Gas Code, ANSI Z223.1/NFPA 54*. Do not use single wall pipe for vent connections in attics.

#### C. Size chimney and vent connector in accordance with *National Fuel Gas Code, ANSI Z223.1/NFPA 54*.

#### D. Do not connect vent of this appliance into any portion of a mechanical vent system operating under positive pressure.

## 6 Venting *(continued)*

- E. Do not connect boiler into a chimney flue servicing an open fireplace or other solid fuel appliance.
  - F. Prior to boiler installation, inspect chimney for obstructions or other defects and correct as required. Clean chimney as necessary.
  - G. The vertical section of vent pipe coming off boiler should be as tall as possible, while still maintaining the proper clearance from horizontal vent connector to combustibles.
  - H. Vent pipe must slope upward from draft hood not less than one inch in four feet. No portion of vent pipe should run downward or have sags. Vent pipe must be securely supported.
  - I. Vent pipe should be installed above bottom of chimney to prevent blockage.
  - J. Vent pipe must be inserted flush with inside face of chimney liner and the space between vent pipe and chimney sealed tight.
  - K. Do not install vent damper in any portion of vent system which is used by appliances other than the boiler being installed.
- 2. Install vent piping.
    - A. See Figure 3-4 for vent sizes and locations. See Figure 4-2 for clearances.
    - B. Install vent piping from vent damper outlet to chimney. See Figure 6-3 for typical vent installation.

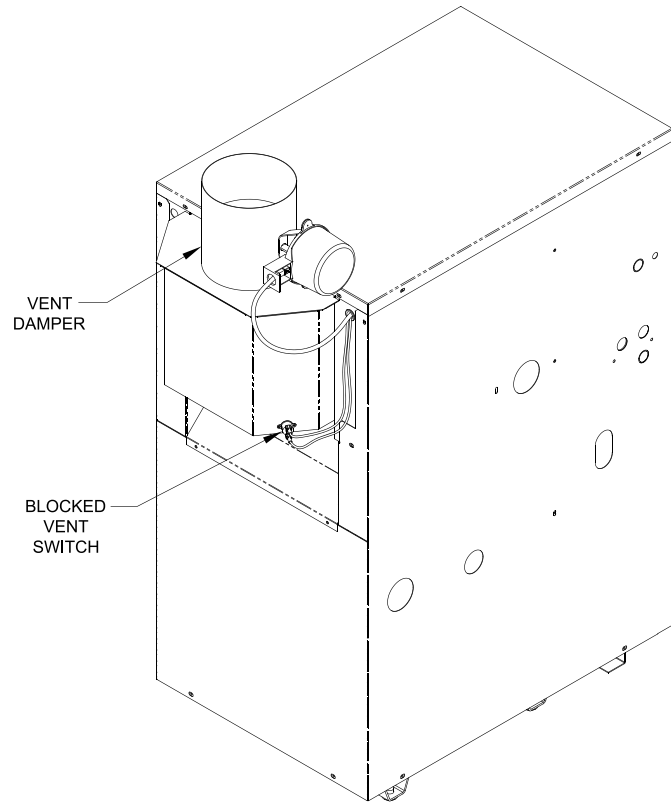


Figure 6-1: Vent Damper Installation

### Install Vent Piping

1. Install vent damper.

OPEN VENT DAMPER CARTON and remove Installation Instructions. READ INSTALLATION INSTRUCTIONS THOROUGHLY before proceeding.

#### **CAUTION**

Do not use one vent damper to control more than one heating appliance.

- A. Vent damper must be same size as outlet of vent supplied with boiler (see Table 3-2). Unpack damper carefully - DO NOT FORCE IT CLOSED! Forcing damper may damage motor and is not covered by warranty.

Insert pilot vent plug into gate and fold over tabs.

- B. Mount the vent damper assembly onto diverter. See damper manufacturer instructions for more information. Do not modify either diverter or vent damper. See Figure 6-1.

**NOTICE:** Provide adequate access for servicing.

- C. Locate vent damper position indicator to be visible following installation. See Figure 6-2.
- D. Plug vent damper connector into damper motor polarized receptacle.

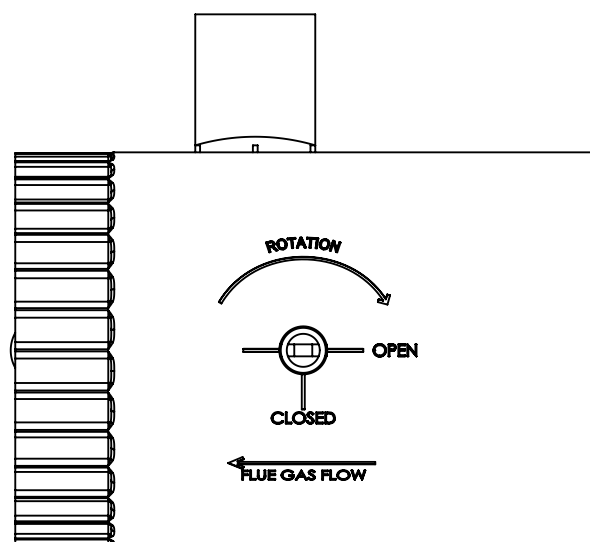


Figure 6-2: Vent Damper Position Indicator

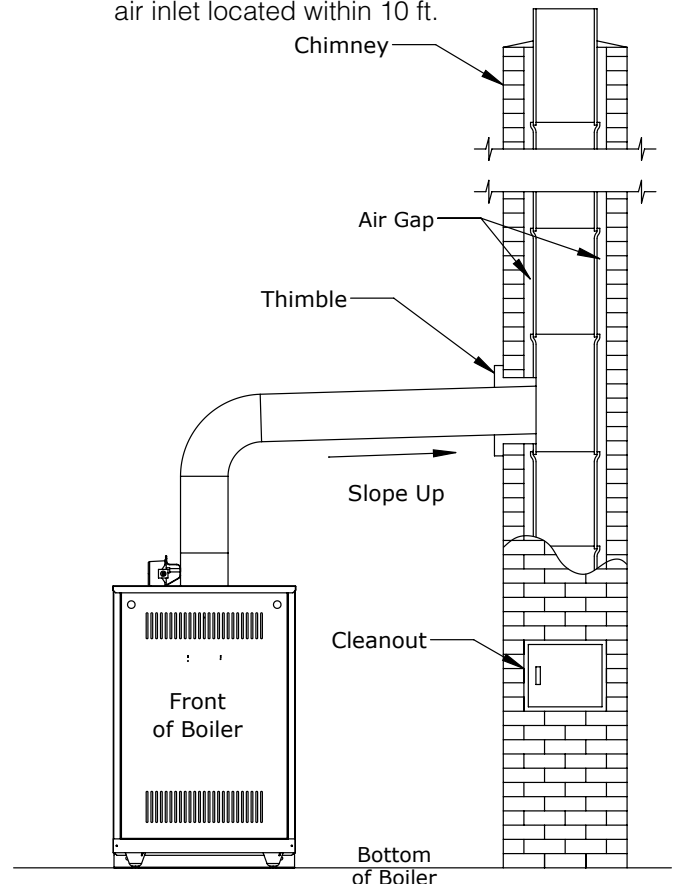
## 6 Venting *(continued)*

### **⚠ DANGER**

Inspect existing chimney before installing boiler. Look for corrosion holes. Failure to clean chimney or replace corroded pipe or tile lining will cause severe injury or death. Do not connect into same flue of chimney serving an open fireplace.

- C. Vent pipe to chimney must not be smaller than outlet on draft hood or vent damper. Arrange venting system so boiler is served by vent damper device.
- Exception: *National Fuel Gas Code, ANSI Z223.1/NFPA 54*, and allow vent downsizing when vent size determined by their Vent Sizing Tables is smaller than draft hood outlet/vent damper. These codes require all of following:
- i. Total vent height (H) is at least 10 ft.;
  - ii. Vent not reduced more than one table size; and
  - iii. Draft hood outlet/vent damper is greater than 4 in. in diameter.
- D. Vent pipe should have greatest possible initial rise above draft hood consistent with head room available and required clearance from adjacent combustible building structure. Vent pipe should be installed above bottom of chimney to prevent blockage.
- E. Slope vent pipe upward from draft hood to vent terminal not less than 1/4 in. per foot.
- F. Support horizontal portions of venting system to prevent sagging. Use pipe straps, brackets or hangers spaced 4 ft. or less.
- G. Vent pipe must be inserted into but not beyond inside wall of chimney liner. Seal tight between vent pipe and chimney.

4. Install vent termination (masonry chimney and single wall metal pipe).
  - A. Termination shall extend at least 5 ft. in vertical height above highest connected appliance vent outlet.
  - B. Termination shall extend at least 3 ft. (2 ft. for single wall metal pipe) above roof penetration and at least 2 ft. above any portion of building within horizontal distance of 10 ft.
5. Install vent termination: (Gas Vent).
  - A. Termination shall extend at least 5 ft. in vertical height above highest connected appliance vent outlet.
  - B. For terminations located at least 8 ft. from vertical wall or similar obstruction, termination shall extend above roof in accordance with Figure 6-4.
  - C. For terminations located less than 8 ft. from vertical wall or similar obstruction, termination shall extend at least 2 ft. above roof penetration and at least 2 ft. above any portion of building within horizontal distance of 10 ft.
  - D. Termination shall be at least 3 ft. above forced air inlet located within 10 ft.



**Figure 6-3: Typical Single Draft Hood Installation**

## 6 Venting *(continued)*

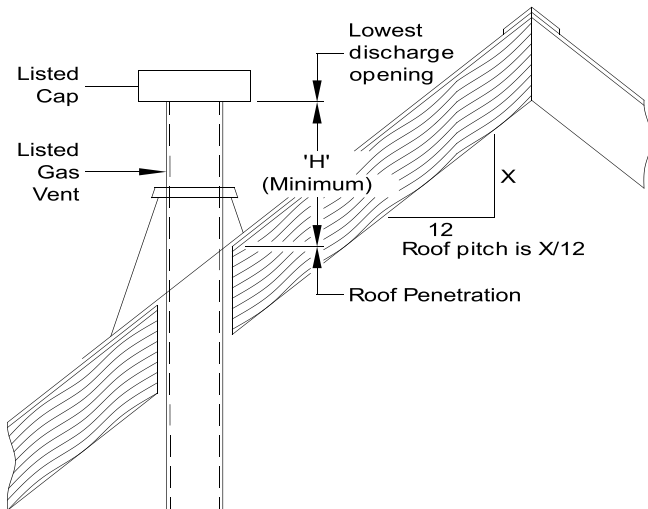


Figure 6-4: Termination Location for Gas Vent

Roof Slope Heights (H)	
Roof Slope	ft.
Flat to 6/12	1.0
Over 6/12 to 7/12	1.25
Over 7/12 to 8/12	1.5
Over 8/12 to 9/12	2.0
Over 9/12 to 10/12	2.5
Over 10/12 to 11/12	3.25
Over 11/12 to 12/12	4.0
Over 12/12 to 14/12	5.0
Over 14/12 to 16/12	6.0
Over 16/12 to 18/12	7.0
Over 18/12 to 20/12	7.5
Over 20/12 to 21/12	8.0

## 7 Water Piping

### ⚠ WARNING

Failure to properly pipe boiler may result in improper operation and damage to boiler or building.

1. Design and install boiler and system piping to prevent oxygen contamination of boiler water. Oxygen contamination sources are system leaks requiring addition of makeup water, fittings, and oxygen permeable materials in distribution system. Eliminate oxygen contamination by repairing system leaks, repairing fittings, and using non-permeable materials in distribution system.
2. Install circulator with flanges, gaskets and bolts provided.
3. Install Safety Relief Valve. See Figure 7-1. Safety Relief Valve must be installed with spindle in vertical position.

### ⚠ DANGER

- Pipe relief valve discharge to a safe location.
- Do not install any valves between boiler and relief valve.
- Do not install any valves between relief valve and discharge.
- Do not move relief valve from factory location.
- Do not plug relief valve discharge.
- Do not install a relief valve with a setting greater than 30 psi.

### ⚠ WARNING

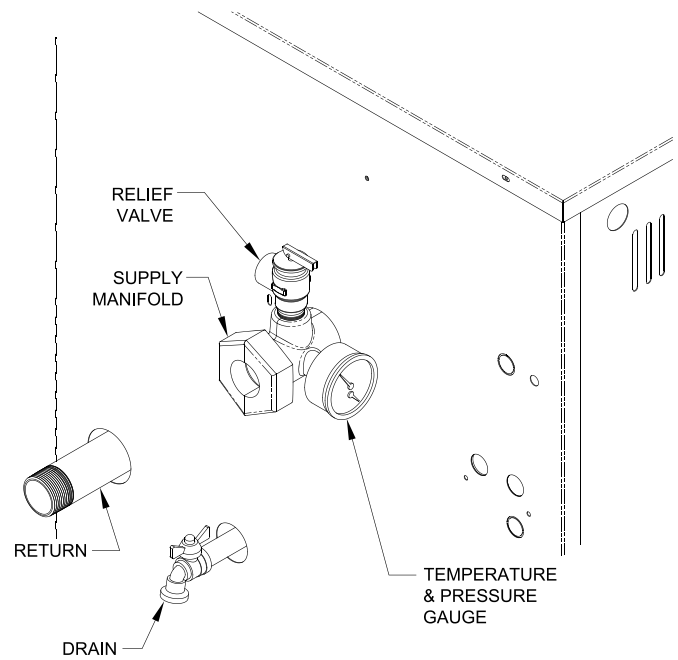
- Pipe discharge of relief valve to a location where water will not create a hazard or cause property damage if the relief valve opens.
- End of discharge pipe must terminate in an unthreaded pipe.
- Relief valve must terminate no greater than 6 inches above floor.
- Termination of the relief valve discharge piping must be in an area where it is not likely to become plugged by debris or subjected to freezing.
- Union may be installed in safety relief valve piping.

## 7 Water Piping *(continued)*

4. Connect system supply and return piping to boiler. Refer to Figures 7-1, 7-2, and 7-3. Also consult Residential Hydronic Heating Installation and Design I=B=R Guide. Maintain minimum ½ inch clearance from hot water piping to combustible materials.
5. If boiler is used in connection with refrigeration systems, See Appendix: "Combination Refrigeration/Heating System".
6. Use a boiler bypass if boiler is to be operated in a system which has a large volume or excessive radiation where low boiler water temperatures may be encountered (i.e. converted gravity circulation system, etc.). See PB Heat Water Survey.
7. Perform a long term pressure test of hydronic system, isolate boiler to avoid a pressure loss due to escape of air trapped in boiler.

To perform a long term pressure test including the boiler, ALL trapped air must first be removed from the boiler.

A loss of pressure during such a test, with no visible water leakage, is an indication that the boiler contained trapped air.



**Figure 7-1: Near Boiler Piping**

# 7 Water Piping (continued)

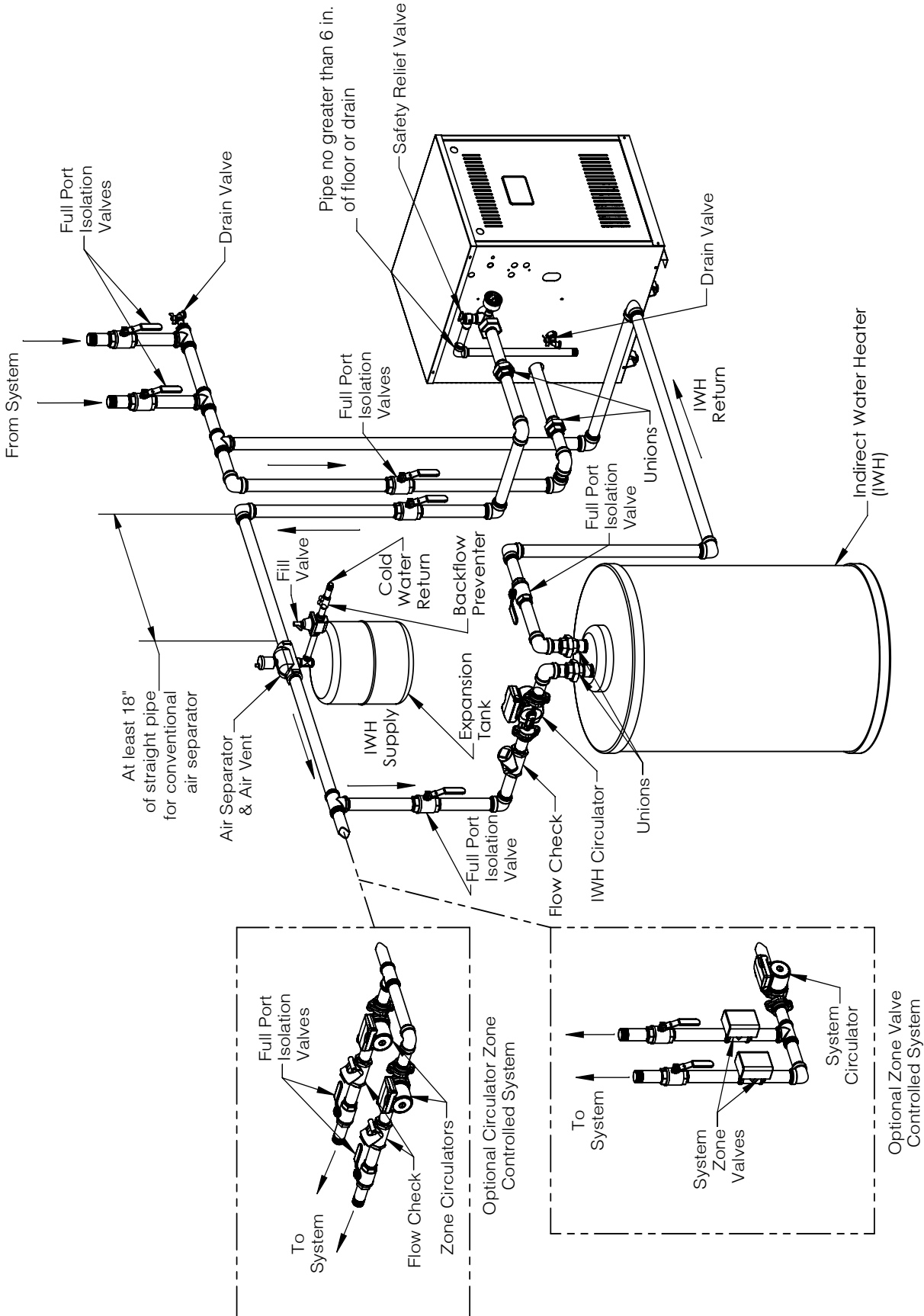
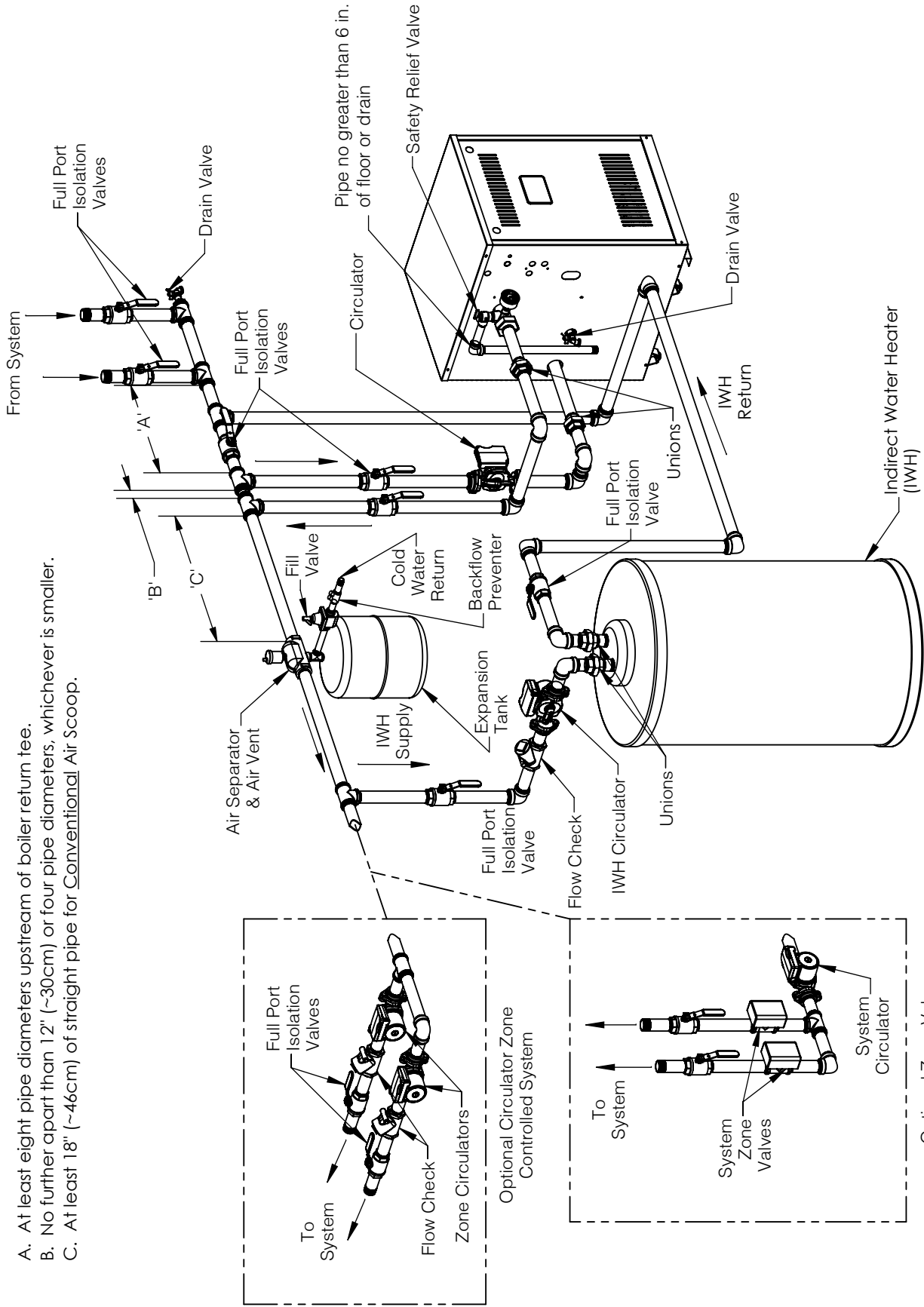


Figure 7-2: Recommended Water Piping for Direct Connection Systems

# 7 Water Piping (continued)



- A. At least eight pipe diameters upstream of boiler return tee.
- B. No further than 12" (~30cm) or four pipe diameters, whichever is smaller.
- C. At least 18" (~46cm) of straight pipe for Conventional Air Scoop.

Figure 7-3: Recommended Water Piping for Primary/Secondary Systems

## 8 Gas Piping

- Size gas piping. Design system to provide adequate gas supply to boiler. Consider these factors:
  - Allowable pressure drop from point of delivery to boiler. Maximum allowable system pressure is  $\frac{1}{2}$  psig. Minimum gas valve inlet pressure is listed on rating label. See Table 8-1.

**Table 8-1: Gas Pressure**

Natural Gas	Inlet Min (in w.c.)	Inlet Max (in w.c.)	Manifold (in w.c.)
All Sizes	4.5	14.0	3.5
LP Gas	Inlet Min (in w.c.)	Inlet Max (in w.c.)	Manifold (in w.c.)
All Sizes	11.0	14.0	10.0

- Maximum gas demand. Consider existing and expected future gas utilization equipment (i.e. water heater, cooking equipment).
- Connect boiler gas valve to gas supply system.
    - Use methods and materials in accordance with local plumbing codes and requirements of gas supplier. In absence of such requirements, follow *National Fuel Gas Code*, ANSI Z223.1/NFPA 54.
    - Use thread compounds (pipe dope) resistant to action of liquefied petroleum gas.
    - Install sediment trap, ground-joint union and manual shut-off valve upstream of boiler gas control valve. See Figure 8-2 (within 6 ft. of boiler).
    - All above ground gas piping upstream from manual shut-off valve must be electrically continuous and bonded to a grounding electrode. Do not use gas piping as grounding electrode. Refer to *National Electrical Code*, NFPA 70.
  - Pressure test. Boiler and its gas connection must be leak tested before placing boiler in operation. See "System Start-Up and Checkout" section and "Gas Leak Test" for guidance. Follow *National Fuel Gas Code*, ANSI Z223.1/NFPA 54.

### **WARNING**

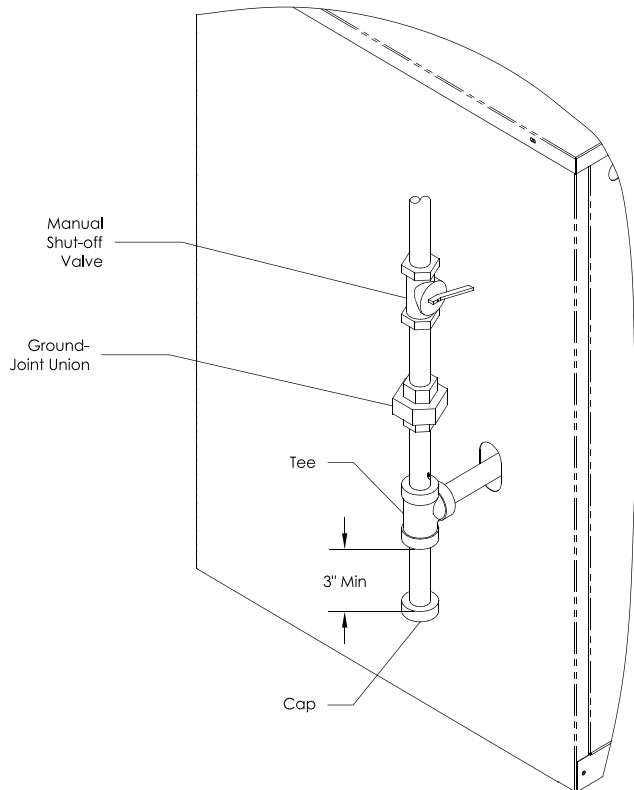
#### **Explosion Hazard.**

- Failure to properly pipe gas supply to boiler could cause improper operation if leaks of flammable gas resulting in severe personal injury, death, or substantial property damage.
- Gas supply to boiler and system must be shut off prior to installing or servicing boiler gas piping.

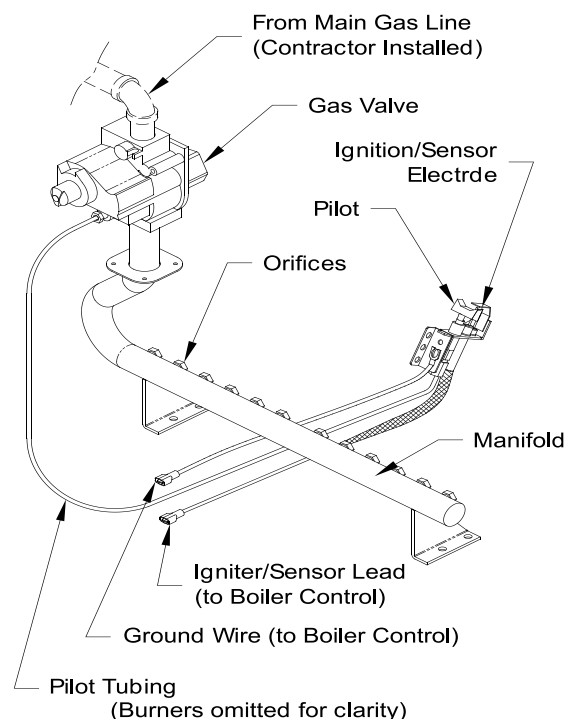
### **⚠ DANGER**

#### **Explosion Hazard.**

Do not use matches, candles, open flames, or other ignition sources to check for leaks. Failure to comply could result in severe personal injury, death, or substantial property damage.



**Figure 8-2: Pilot and Gas Piping**



**Figure 8-3: Gas Manifold and Control Assembly**



## 9 Electrical

### WARNING

#### **Electrical Shock Hazard.**

Wiring errors can cause improper or dangerous operation. Verify proper operation after installation.

1. Install wiring so boiler is electrically bonded to ground in accordance with requirements of authority having jurisdiction, or in absence of such requirements, with the *National Electrical Code*, NFPA 70.
2. Install thermostat. Locate on inside wall approximately 4 feet above floor. Do not install on outside wall, near fireplace, or where influenced by drafts or restricted air flow, hot or cold water pipes, lighting fixtures, television, or sunlight. Allow free air movement by avoiding placement of furniture near thermostat.
3. Wire boiler. Boiler is rated for 120 VAC, 60 hertz, less than 12 A. A separate electrical circuit must be run from main electrical service with an over-current device/disconnect in circuit. A service switch is recommended and may be required by some local jurisdictions. Connect to black and white wires and green ground screw. See Figures 9-1 and 9-2.
4. For installations using zone valves, provide separate transformer for zone valve wiring. Consult zone valve manufacturer for assistance. See Figure 9-3.

### DANGER

#### **Electrical Shock Hazard.**

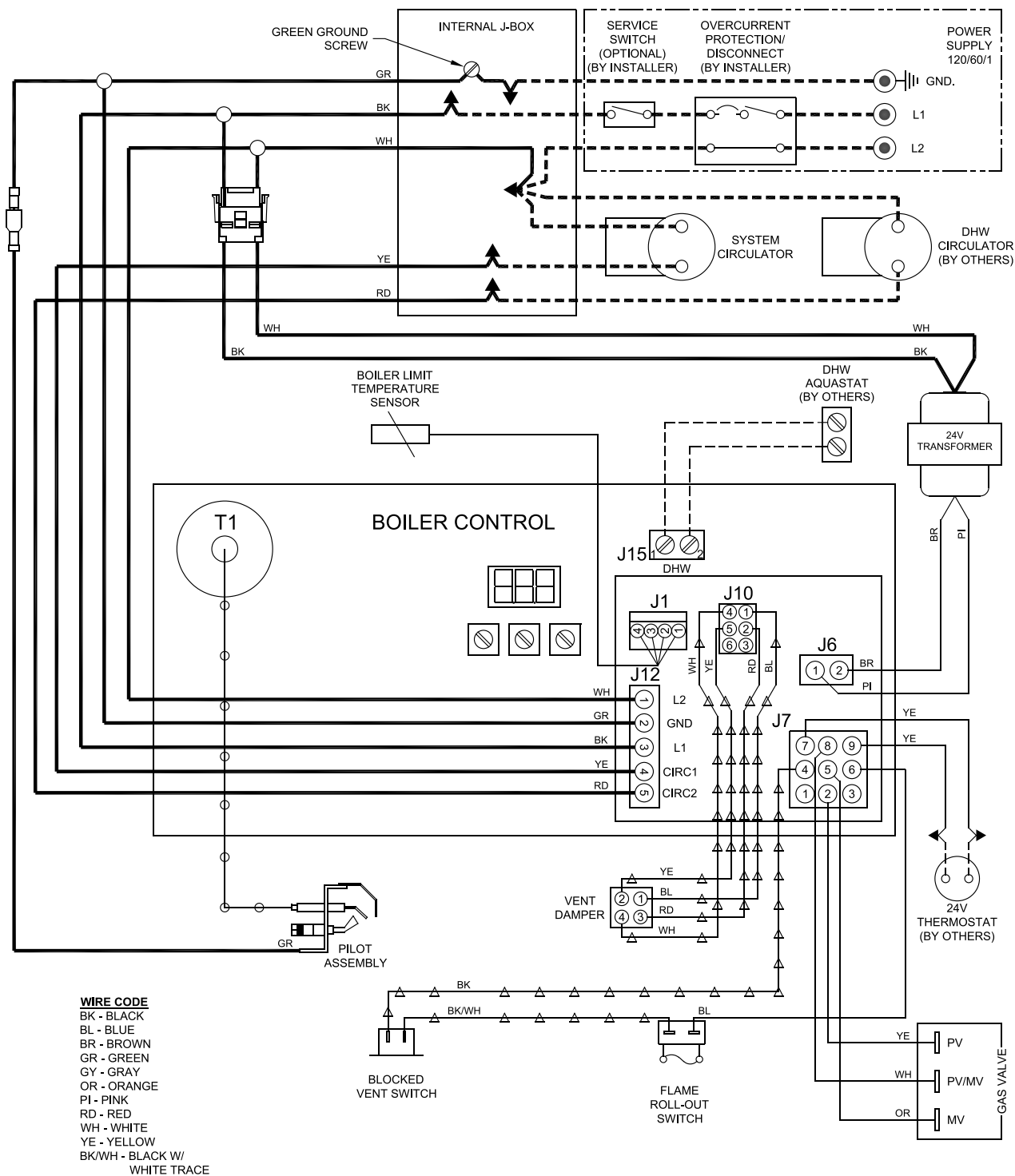
- Disconnect electrical supply before installing or performing maintenance.
- Electrical power may be supplied from more than one circuit.
- Lock out all electrical boxes with padlock once power is turned off.

### WARNING

#### **Electrical Shock Hazard.**

- All wiring and grounding must conform to requirements of authority having jurisdiction or, in the absence of such requirement, to *National Electrical Code/NFPA 70*.
- Make electrical connections according to boiler's wiring diagram and instructions. Failure to properly wire electrical connections to the boiler may result in severe personal injury, death, or substantial property damage.
- Protect each boiler circuit with a properly sized over-current device.
- Never jump out or bypass any operating control or component of this boiler.

# 9 Electrical (continued)



**WIRE CODE**  
 BK - BLACK  
 BL - BLUE  
 BR - BROWN  
 GR - GREEN  
 GY - GRAY  
 OR - ORANGE  
 PI - PINK  
 RD - RED  
 WH - WHITE  
 YE - YELLOW  
 BK/WH - BLACK W/  
 WHITE TRACE

**WIRE TYPE LEGEND**  
 ———— LOW VOLTAGE FACTORY WIRING SIZE 18 AWG TYPE TEW/AWM STRANDED WIRE, 105°C  
 - - - - - LOW VOLTAGE FIELD WIRING  
 ▲▲▲▲▲ LOW VOLTAGE FACTORY WIRING SIZE 18 AWG TYPE CL2(X) OR CL3R STRANDED WIRE, 75 TO 105°C  
 ———— LINE VOLTAGE FACTORY WIRING SIZE 14 AWG TYPE TW OR TEW/AWM WIRE, 105°C  
 - - - - - LINE VOLTAGE FIELD WIRING  
 ○ ○ ○ ○ IGNITOR - NAT GAS: 16 AWG UL STYLE 3257, HONEYWELL 394803-2F, COLOR RD (RED)  
 ○ ○ ○ ○ IGNITOR - LP GAS: 250°C (INTEGRAL TO PILOT)

**NOTES:**  
 1. IF ANY OF THE ORIGINAL WIRE SUPPLIED WITH THE APPLIANCE MUST BE REPLACED, IT MUST BE REPLACED WITH THE SAME TYPE SHOWN OR ITS EQUIVALENT.

**Figure 9-1: Wiring Connection Diagram**

# 9 Electrical (continued)

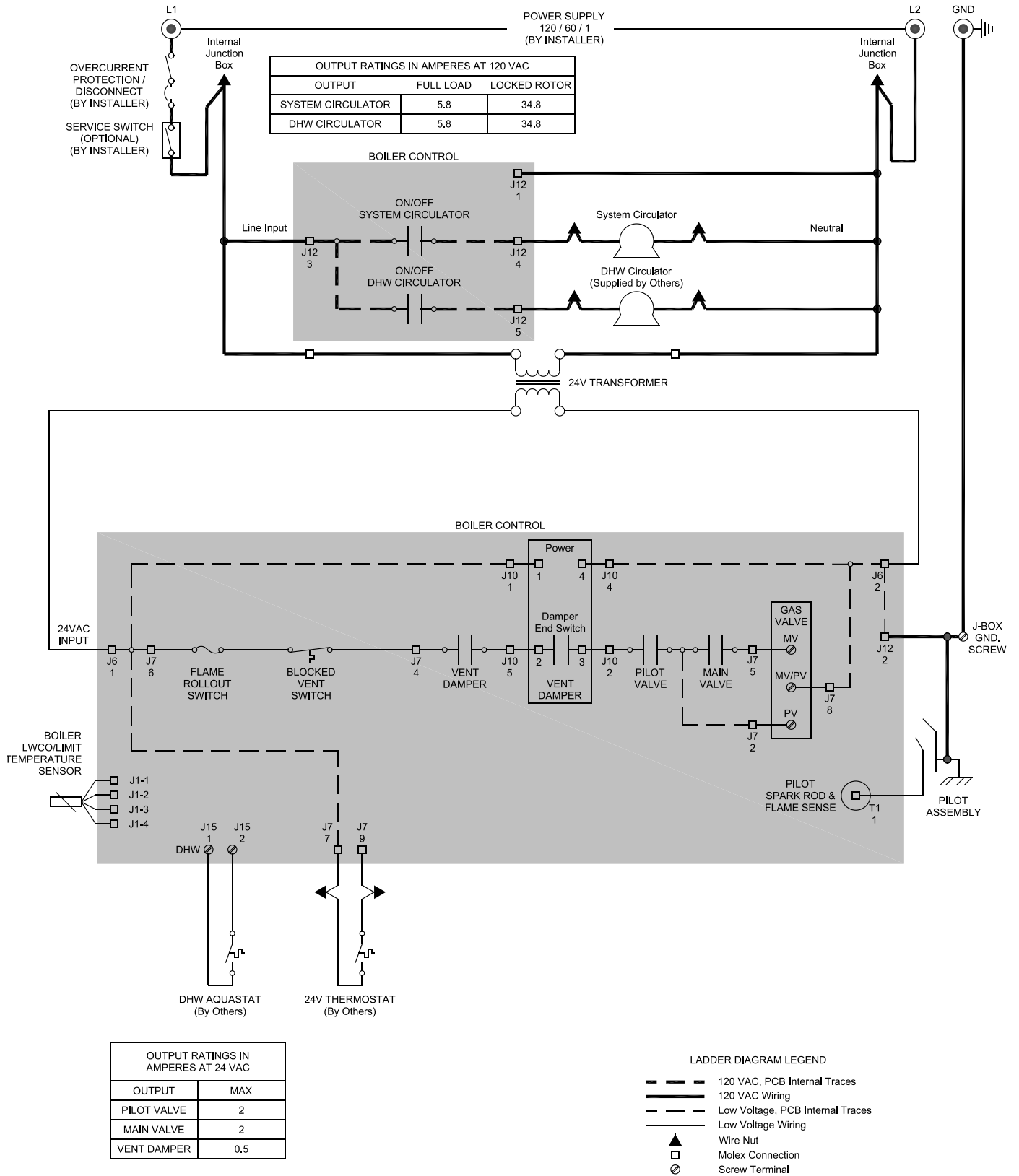
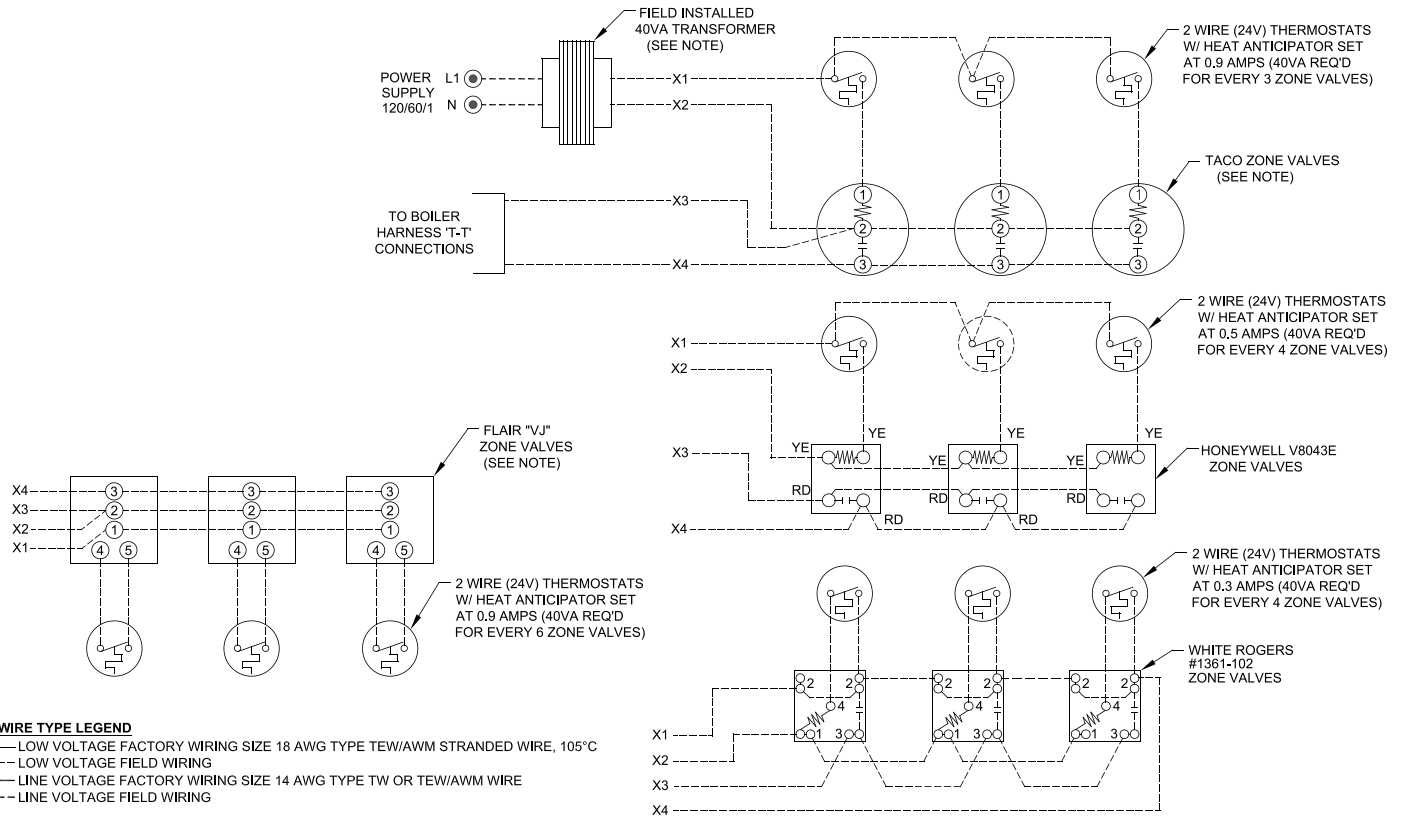
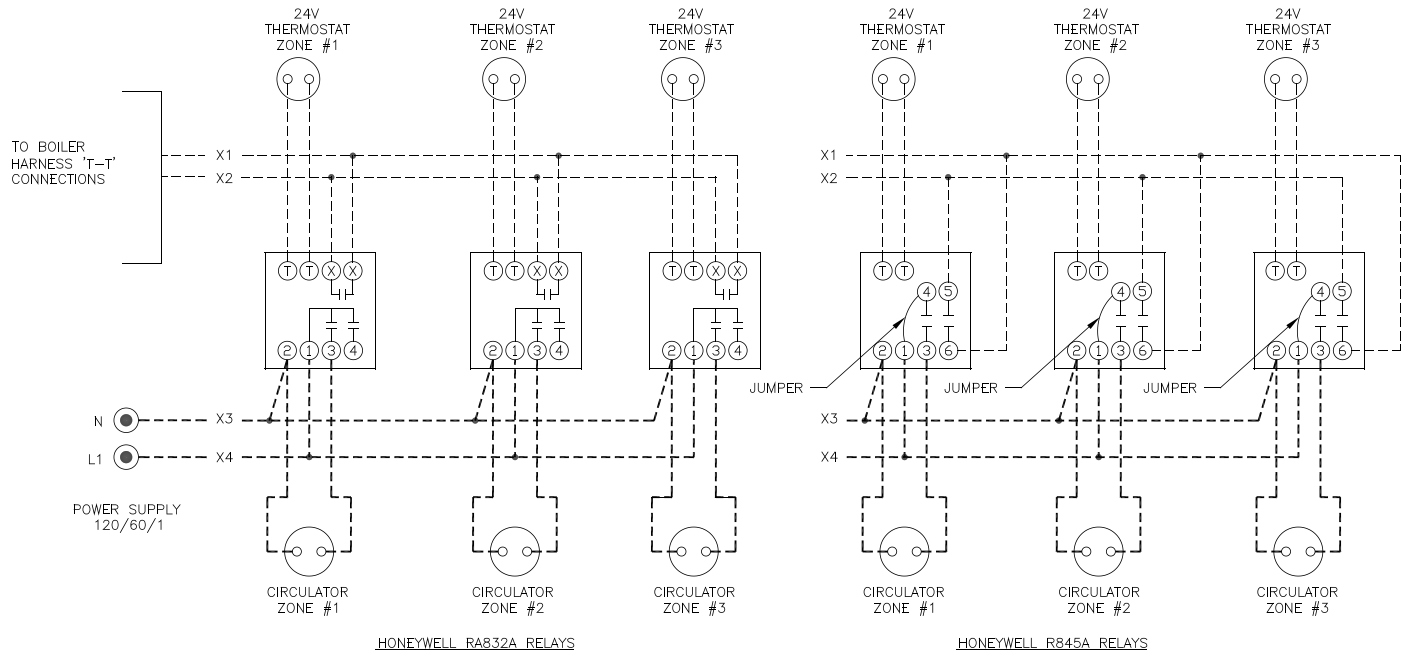


Figure 9-2: Schematic Ladder Diagram

# 9 Electrical *(continued)*



**Figure 9-3: Wiring Schematic, Zone Valves**



**Figure 9-4: Wiring Schematic, Zone Circulators**

# 10 System Start-up and Checkout

## DANGER

### Explosion Hazard.

Do not use matches, candles, open flames, or other ignition sources to check for leaks. Failure to comply could result in severe personal injury, death, or substantial property damage.

## WARNING

- Make sure that the area around the boiler is clear and free from combustible materials, gasoline, and other flammable vapors and liquids.
  - Damper must be in open position when appliance main burner is operating.
1. The installer must verify that at least one carbon monoxide alarm has been installed within a residential living space or home following the alarm manufacturer's instructions and applicable local codes before putting the appliance into operation.
  2. Visual Main Burner Check.  
Inspect burners for dislodgement during shipment. Rear of burners should be in vertical slots in rear of burner tray and front of burners should be seated completely on orifices.
  3. Fill Boiler with Water. Refer to Appendix B for important information on water quality and boiler additives.
  4. Purge Air from System.
    - A. Fill entire heating system with water and vent air from boiler, radiators and system, one zone at a time.
    - B. Isolate boiler by closing isolation valves. For primary - secondary systems, close additional isolation valve to ensure water flows through zones.
    - C. Isolate all circuits by closing zone valves or turning off zone circulators.
    - D. Attach hose to drain valve located on return piping (see Figure 7-2 and 7-3). Note-Terminate hose in five gallon bucket, at a suitable floor drain, or outdoor area).
    - E. Starting with one circuit, open zone valve or start circulator.
    - F. Open drain valve.
    - G. Open fill valve.
  - H. Allow water to flow through system until discharge from hose is bubble free for 30 seconds.
  - I. Open zone valve or start circulator to second zone to be purged, then close first. Repeat this step until all zones have been purged, but always have one zone open. At completion, open all zone valves or start all circulators.
  - J. Close hose bib, open boiler isolation valve, continue filling system until pressure gauge reads 12 psi. Close fill valve. (Note - If make-up water line is equipped with pressure reducing valve, system will automatically fill to 12 psi).
  - K. Remove hose from drain valve.
5. Perform gas leak test upstream of boiler shutoff valve.
    - A. Protect boiler gas valve.
      - i. For all testing over ½ psig, boiler and manual shutoff valve must be disconnected from gas supply piping.
      - ii. For testing at ½ psig or less, isolate boiler from gas supply piping by closing boiler manual shutoff valve.
    - B. Locate leaks using listed combustible gas detector, a noncorrosive leak detection fluid or other listed leak detection method.
    - C. Tighten appropriate pipe connections.
  6. Perform limit check.
    - A. Ensure gas to boiler is off.
    - B. Set ROOM THERMOSTAT to lowest setting.
    - C. If limits are functioning properly (LWCO, Auxiliary limit, flame rollout switch, blocked vent switch, damper), boiler should spark. If boiler does not spark, see Section 15 "Troubleshooting" for guidance.
    - D. Turn "OFF" the electric switch to boiler.
  7. Start boiler according to "Operating Instructions" in Figure 10-1.
  8. Perform gas leak test downstream of boiler manual shutoff valve.
    - A. Open manual shutoff valve.

# 10 System Start-up and Checkout *(continued)*

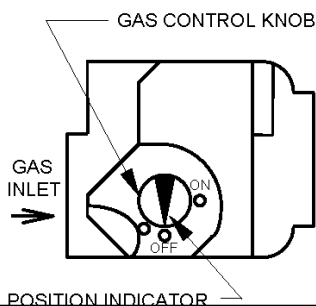
## FOR YOUR SAFETY READ BEFORE OPERATING

**WARNING:** If you do not follow these instructions exactly, a fire or explosion may result causing property damage, personal injury, or loss of life.

- A. This appliance is equipped with an ignition device which automatically lights the pilot. Do not try to light the pilot by hand.
- B. **BEFORE OPERATING** smell all around the appliance area for gas. Be sure to smell next to the floor because some gas is heavier than air and will settle on the floor.
- WHAT TO DO IF YOU SMELL GAS**
- ▶ Do not try to light any appliance.
  - ▶ Do not touch any electric switch; do not use any phone in your building.
  - ▶ Immediately call your gas supplier from a neighbor's phone. Follow the gas supplier's instructions.
- C. Use only your hand to push in or turn the gas control knob. Never use tools. If the knob will not push in or turn by hand, don't try to repair it, call a qualified service technician. Force or attempted repair may result in a fire or explosion.
- D. Do not use this appliance if any part has been under water. Immediately call a qualified service technician to inspect the appliance and to replace any part of the control system and any gas control which has been under water.
- ▶ If you cannot reach your gas supplier, call the fire department.

## OPERATING INSTRUCTIONS

1. **STOP!** Read the safety information above on this label.
2. Set the thermostat to lowest setting.
3. Turn off all electric power to the appliance.
4. This appliance is equipped with an ignition device which automatically lights the pilot. Do not try to light the pilot by hand.
5. Remove front door.
6. Locate the gas control valve at the end of the gas supply pipe going into the boiler. The gas control knob is the brown or blue plastic knob located on top of the gas control valve.
7. Rotate gas control knob clockwise from "ON" position to "OFF". Make sure knob rests against stop.
8. Wait five (5) minutes to clear out any gas. Then smell for gas, including near the floor. If you smell gas, **STOP!** Follow "B" in the safety information above on this label. If you do not smell gas, go to the next step.
9. Rotate gas control knob counterclockwise from "OFF" to "ON". Make sure knob rest against stop. Do not force.
10. Replace front door.
11. Turn on all electric power to the appliance.
12. Set thermostat to desired setting.
13. If the appliance will not operate, follow the instructions "TO TURN OFF GAS TO APPLIANCE" and call your service technician or gas supplier.



## TO TURN OFF GAS TO APPLIANCE

1. Set the thermostat to lowest setting.
2. Turn off all electric power to the appliance if service is to be performed.
3. Remove front door.
4. Rotate gas control knob clockwise from "ON" position to "OFF". Make sure knob rests against stop.
5. Replace front door.

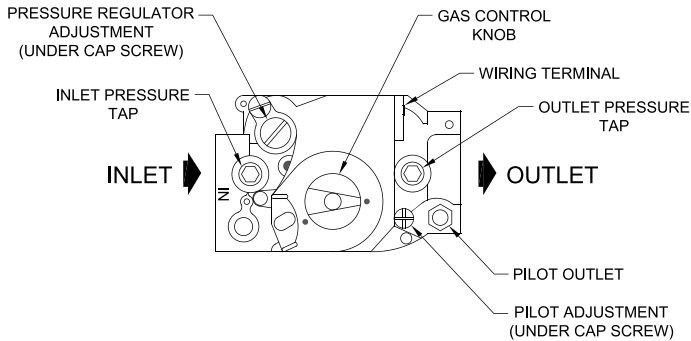
Figure 10-1: Operating Instructions

# 10 System Start-up and Checkout *(continued)*

## ⚠ WARNING

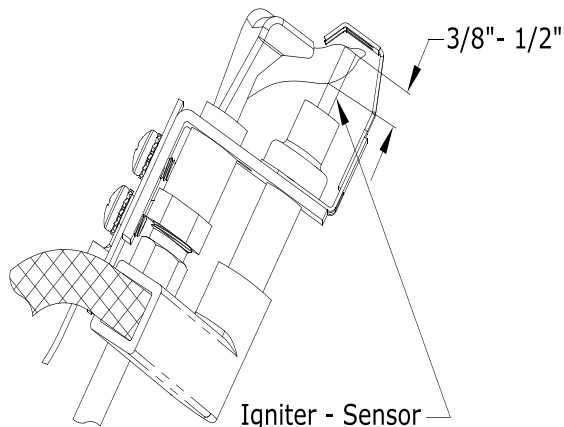
### Explosion Hazard.

Ensure inlet pressure tapping is fully closed after checking pressure. Failure to comply could result in severe personal injury, death, or substantial property damage.



**Figure 10-2: Top View of Gas Valve**

- B. PURGE AIR FROM GAS PIPING by loosening (or removing) "Inlet Pressure Tap" plug on gas valve (See Figure 10-2). Tighten (or replace) plug when you start to smell gas. Adequate ventilation must be provided and no smoking or open flame permitted.
- C. Locate and address leaks using listed combustible gas detector, a non corrosive leak detection fluid or other listed leak detection method.
  - i. Check pipe fittings up to inlet of gas valve
  - ii. Check piping between gas valve and orifices (after boiler is operating).
  - iii. Check piping between gas valve and pilot (after boiler is operating).
- D. Tighten appropriate pipe connections.

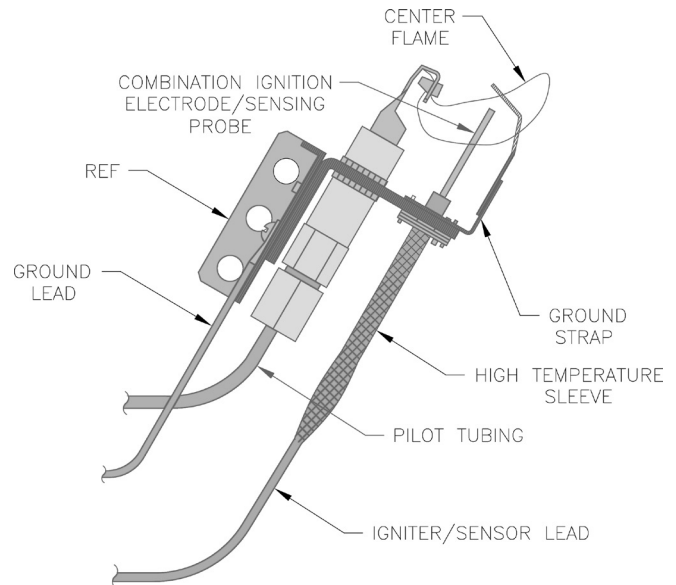


**Figure 10-3: Natural Gas Pilot Flame**

9. Check pilot burner flame.

**Natural Gas Only.** Pilot produces single flame. Flame should be steady medium hard blue enveloping 3/8 to 1/2 inch of igniter-sensor tip. See Figure 10-3.

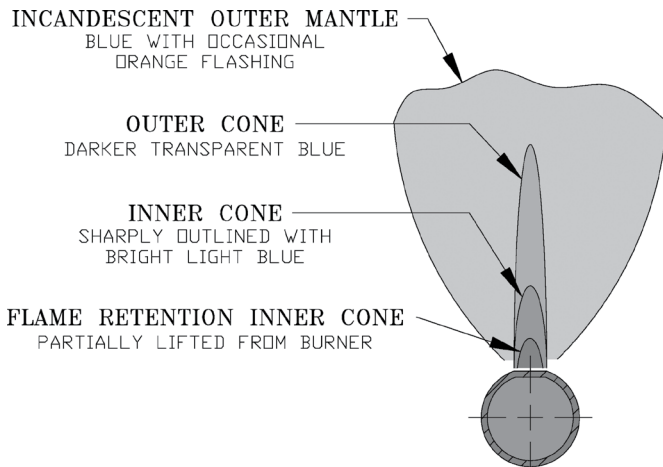
**LP Gas Only.** Pilot burner produces three (3) flames. The center flame should be steady, medium hard blue enveloping 3/8 to 1/2 inch of sending probe. See Figure 10-4.



**Figure 10-4: LP Gas Pilot Flame**

10. Check Main Burner Flame (see Figure 10-5).
  - A. NORMAL FLAME:
    - i. Clearly defined inner cone with no yellow tipping.
    - ii. Orange-yellow streaks caused by dust should not be confused with true yellow tipping.
  - B. ABNORMAL FLAME (if found, check inlet and outlet gas pressure. Procedure found in following steps):
    - i. Over fired - large flame.
    - ii. Under fired - small flames.
    - iii. Lack of primary air - yellow tipping on flames.

## 10 System Start-up and Checkout *(continued)*



**Figure 10-5: Main Burner Flame**

### **CAUTION**

Avoid operating boiler in an environment where saw dust, loose insulation fibers, dry wall dust, etc. are present. If boiler is operated under these conditions, burner interior and ports must be cleaned and inspected daily to ensure proper operation.

### **WARNING**

Failure to follow the following procedure exactly could result in over firing of boiler and a carbon monoxide hazard.

11. Check gas inlet pressure.
  - A. While boiler and all other gas appliances are not firing, gas inlet pressure should not exceed  $\frac{1}{2}$  psig.
  - B. While boiler and all other gas appliances are firing, gas inlet pressure must be between minimum and maximum shown on rating label.
12. Check gas outlet (manifold) pressure.
  - A. Install manometer on  $\frac{1}{8}$  in. outlet pressure tap on gas valve (see Figure 10-2). Use of shutoff valve between manometer and gas valve can prevent pressure surge that blows out manometer fluid.
  - B. Adjust regulator on gas valve so manifold pressure matches values listed on rating label within  $\pm 0.3$  "w.c.
  - C. Turning regulator adjustment screw clockwise ( $\odot$ ) increases pressure.
  - D. Turning regulator adjustment screw counterclockwise ( $\ominus$ ) decreases pressure.
13. Check gas input rate to boiler.
  - A. When checking rate, ensure all other appliances connected to same meter as boiler are off.
  - B. Input ratings shown on boiler rating label can be used for elevations up to 2,000 ft. See Appendix C High Altitude Installations.
14. Measure carbon monoxide (CO) level in vent after 5 minutes of main burner operation. CO should not exceed 400ppm air free.
15. Check vent damper operation.
 

Vent damper must be in open position when appliance main burners are operating.
16. Check ignition system safety shut-off device.
 

After control has finished sparking, remove ignitor/ flame sense wire from control. Pilot and burners will shut down.
17. Test LWCO functionality.
 

Press and hold the Test/Settings button for 5 seconds. The display will read LCO. The red Low Water light should illuminate and the burner circuit should de-energize.
18. Check high limit control. Set thermostat to higher than normal setpoint. Turn off Economy function on HydroStat control. Allow boiler to run until high limit is achieved (190°F default). Burners will shut down.
19. Check thermostat operation. Raise and lower temperature setting to start and stop boiler operation. Adjust thermostat to normal setting.
20. Review User's Information Manual and system operation with owner or operator.



# 11 Operation

1. See Hydrolevel 4200 Series HydroStat manual for details regarding 4200 control operation.
2. Boiler Sequence of Operation.
  - A. When thermostat calls for heat, control starts system circulator if water temperature is above 125°F.
  - B. If thermostat is not satisfied with residual heat in boiler, start sequence continues by energizing vent damper. Once vent damper is fully open, ignition sequence is started. Damper must be in open position when appliance main burners are operating.
  - C. If thermostat is not satisfied and operating set point has been reached, system circulator will continue to operate and burners will stop. When boiler water temperature drops below setpoint less differential setting, burners will restart.
  - D. After thermostat is satisfied, burners and circulator are stopped and vent damper is closed.
  - E. When indirect water heater thermostat is wired to DHW input, aquastat calls for heat and control starts DHW circulator. Vent damper is energized without delay and ignitor sequence is started.
3. Boiler Fault.

If boiler fails to start, control provides status information to help determine cause of problem. Figure 11-1 provides a list of boiler status codes that are reported. See also HydroStat 4200 control manual.
4. Using Display.

Control is located inside boiler front door. The control display, along with Test/Menu Button and LED lights may be used to view boiler operating status (Figure 11-1). See also HydroStat 4200 control manual.

# 11 Operation *(continued)*

**TEMP** (G) ACTIVE, (Y) HI TEMP, (G) ACTIVE, (R) LOW, (G) ACTIVE, (Y) TARGET

**LWCO** (G) ACTIVE, (R) LOW

**ECONOMY** (G) ACTIVE, (Y) TARGET

**IGNITION** (G) LIMITS, (G) V-PWR, (G) V-SW, (G) FLAME

**TEST / MENU BUTTON** (CALL FOR HEAT)

**LO LIMIT\* & PROGRAM, Return to OFF** (HI LIMIT\* & MENU ADJUST, Return to Setpoint)

**CALL FOR HEAT**

**LIMITS** (G) SPILL SWITCH, ROLL-OUT SWITCH (BLINKS IF SWITCHES ARE OPEN)

**V-PWR** (G) VENT DAMPER POWER (BLINKS IF DAMPER DOESN'T OPEN FULLY IN 30 SEC.)

**V-SW** (G) VENT DAMPER SWITCH

**FLAME** (G) PILOT FLAME (30 IGNITION ATTEMPTS IN 75 SEC, BLINKS DURING 5 MIN. WAIT.)

**STATUS**

Display Status Home Screen		Status Menu accessed by Button	
190 (ex.)	Current supply temp	HL	High Limit Setpoint*
." (period)	Call for Heat	LL	Low Limit Setpoint (OFF)*
Pur	Pre-Purge (if set ON)	ECO	Economy Setting
01, 02...30	Ignition attempt # (in 75 sec)	170 (ex.)	Supply temp target. Displays only if ECONOMY = ON
ERRORS	5nr	FLR	Flame Current. Displays for 30s during ignition & run. Min. 1.0 with pilot only, min. 2.0 w/ main burners
	Blinking Display & LED's indicate Supply Temp 250F or above.		

**LED Status Lamps**

TEMP	Green – Temp. function active	Yellow – Hi Limit Setting reached
LWCO	Green – Active (Electro-Well installed)	Red – Low water. Blinks if manual reset
ECONOMY	Green – Economy set to ON	Yellow – Economy target reached
LMT/DMPR	Green- Blink if Spill Switch, Roll-out Switch, Damper Contacts open, See Figure	
FLAME	Green – Main burners on. Blinks - 5 min. wait between 75sec ign. attempt	

**SETTINGS\***

**Dial Settings\*** Defaults shown in **Bold.**

LO LIMIT*	<b>OFF*</b>	Keep Menu button #7 as "OFF" below
HI LIMIT*	<b>100-190-220F*</b>	Avoid low temperatures, "Economy" overrides
ECONOMY	<b>OFF, LO, 1, 2, 3, 4, 5, HI</b>	Default = 1 for single zone. Sets target below Hi Limit to increase efficiency. High setting may cause condensation. For Optional Outdoor Reset Sensor Kit, see kit instructions.

**Menu/Button Settings\*** Access by turning Low Limit dial to Pro, then Hi Limit dial to appropriate setting. Push button to display current setting. Press button again to change setting.\*

1	Thermal Pre-Purge	<b>OFF, ON</b>	Optional efficiency feature
2	Temperature Units	<b>F, C</b>	Fahrenheit, Celsius
3	LWCO	<b>A, b</b>	A - Automatic Reset, b - Manual Reset
4	Zone 2 Circulator	<b>d</b>	Domestic Circulator
		<b>H</b>	Heating Circulator
		<b>P</b>	Primary/Secondary Circulator
5	Circulator Hold	<b>ON, OFF</b>	Holds off <125°F to reduce potential condensation
7	Low Limit*	<b>ON, OFF</b>	Keep set to OFF*
8	Well Type	<b>A, b</b>	A - Electro-Well (factory), b- Not Electro-Well (N/A)
9	Hi Limit Differential	<b>10, 20, 30</b>	Economy sets actual differential if activated
<b>dEF</b>	Restore Defaults	<b>4, n</b>	Resets menu settings (not dial settings)

\* When finished adjusting button settings, turn low limit dial to OFF & hi limit to desired setting

See HydroStat 4200 manual and Boiler manual for further information

112378-01

Figure 11-1: HydroStat 4200 Control Parameters

## 12 Before Leaving Jobsite

Before Leaving Jobsite:

- Checked CO alarm installed
- Boiler and system filled with water
- Performed gas leak test
- Checked pilot burner flame
- Checked main burner flames
- Checked gas input rate
- Checked gas inlet pressure
- Checked gas manifold pressure
- Checked CO level in vent
- Checked vent damper operation
- Check ignition system safety shut-off device
- Tested LWCO functionality
- Tested high limit operation
- Tested additional field-installed controls for functionality outlined by manufacturer. (i.e. additional LWCO, additional high limit, or other controls if used)
- Button on blocked vent switch pushed in
- Reviewed User's Information Manual and system operation with owner or operator

# 13 Service and Maintenance

## Important Product Safety Information: Refractory Ceramic Fiber Product

### WARNING

Some boiler components use materials that contain refractory ceramic fibers (RCF). RCF has been classified as a possible human carcinogen. When exposed to elevated temperatures, RCF may change into crystalline silica, a known carcinogen. When disturbed as a result of servicing or repair, these substances become airborne and, if inhaled, may be hazardous to your health. Avoid breathing RCF particulates and dust.

#### Precautionary Measures:

- Do not handle RCF parts or attempt any service or repair work involving RCF without wearing the following protective gear:
  1. A properly fitting National Institute for Occupational Safety and Health (NIOSH)-certified air-purifying respirator with a filter efficiency of at least 95%. Respirator should also include a full facepiece when handling used RCF. Other types of respirators may be required depending on site conditions. Current NIOSH recommendations may be found on the NIOSH website <http://www.cdc.gov/niosh/homepage.html>. NIOSH-approved manufacturers, respirators and associated user instructions are listed on the NIOSH website.
  2. Long sleeved, loose fitting clothing that is sufficiently tight around potential entry points for RCF dust.
  3. Gloves.
  4. Eye protection, such as goggles, safety glasses with side shields, or full facepiece.
- Take steps to assure adequate ventilation.
- Handle RCF carefully to minimize airborne dust. Use hand tools whenever possible.
- Dampen used RCF with light water spray prior to removal to prevent airborne dust.
- Do not use compressed air or dry sweeping for clean-up. Frequently clean work area with a vacuum or by wet sweeping to minimize debris accumulation.
- Vacuum work clothes before leaving work area. Wash work clothes separately from other laundry and rinse washing machine after use to avoid contaminating other clothes.
- Wash all exposed body areas gently with soap and water after contact.
- Discard used RCF components by sealing in an airtight plastic bag or container. Refer to local, regional, state or provincial regulations to identify applicable disposal requirements.

#### First Aid Procedures:

- Eye contact: Flush with water for at least 15 minutes. **Do not rub eyes.** Seek immediate medical attention if irritation persists.
- Skin contact: Wash affected area gently with soap and water. Do not rub or scratch affected skin. Seek immediate medical attention if irritation persists.
- Nose and throat contact: If these become irritated, leave the area and move to a location with clean fresh air. Drink water and blow nose. Seek immediate medical attention if symptoms persist.

112645-01

# 13 Service and Maintenance *(continued)*

## WARNING

This boiler should be serviced by a qualified installer, service agency, or gas supplier. Inspections should be performed at intervals specified in this manual. Maintain manual in a legible condition.

- Keep boiler area clear and free of combustible materials, gasoline and other flammable vapors and liquids.
- Do not place any obstructions in boiler room that will hinder flow of combustion and ventilation air.

## DANGER

**Explosion Hazard. Electrical Shock Hazard. Burn Hazard.** This boiler uses flammable gas, high voltage electricity moving parts, and steam under pressure. Assure that all gas and electric power supplies are turned off. Make sure boiler is not under pressure and temperature is cool before attempting any disassembly for service. Do not rely solely on pressure gauge to make this determination.

## CAUTION

Label all wires prior to disconnection when servicing controls. Wiring errors can cause improper and dangerous operation. Verify proper operation after servicing.

### Annual Inspection

- Vent system
- Boiler flue passages
- Burners
- Water piping
- Temperature/pressure gauge
- Relief valve operation
- Gas piping
- Air openings
- Pilot flame
- Main burner flame
- Gas inlet pressure
- Gas outlet pressure

### Annual Test

- Gas input rate to boiler
- Measure CO in vent
- Vent damper operation
- LWCO
- High limit control
- Thermostat operation
- CO detector operation
- Check ignition system safety shut-off device.

1. Inspection and service should be conducted annually. Turn off electrical power and gas supply while conducting service of maintenance. Follow instructions TO TURN OFF GAS TO APPLIANCE. See Figure 10-2.
2. Inspect Vent System.
  - A. Remove obstructions in vent pipe and chimney.
  - B. If masonry chimney is lined, verify lining is in good condition and there are no openings into chimney.
  - C. Remove soot accumulations with wire brush and vacuum.
  - D. Repair or replace deteriorated vent pipe and vent accessories.
  - E. Inspect piping to determine that it is adequately supported. Repair sags.
  - F. Repair leaking joints.
3. Inspect boiler flue passages for blockage or soot accumulation.
  - A. Remove vent pipe and vent damper.
  - B. Remove sheet metal screws securing Jacket Top Panel. Remove Top Panel.
  - C. Remove screws securing Canopy to Section Assembly. Remove Canopy.
  - D. Using flashlight, examine all flue passageways.
    - i. If passageways are free of soot and obstruction, replace canopy, secure and seal.
    - ii. If passageways need cleaning, remove burners as described in Step 4 below. Using long handle wire or bristle flue brush and vacuum, brush flueways thoroughly from top of boiler.
  - E. Install new gasket material (See Section 16: Service Parts). Install canopy.
  - F. Install Jacket Top Panel, Vent Damper, and vent pipe.

## 13 Service and Maintenance *(continued)*

4. Clean Main Burners and Combustion Chamber.
  - A. To remove burners for cleaning, changing orifices, or repairs:
    - i. Remove Jacket Front Panel.
    - ii. Disconnect pilot tubing at gas valve.
    - iii. Disconnect 3-wire plug at the gas valve.
    - iv. Remove wires to flame roll-out switch.
    - v. Disconnect ignitor sensor cable at boiler control.
    - vi. Remove burner access panel.
    - vii. Mark location of pilot main burner on the manifold if marking on manifold is missing.
    - viii. Hold burner at throat. Lift front of burner to clear orifice. Pilot burner can only be removed by lifting the burner adjacent to its right first.
  - B. Brush top of burners with a soft bristle brush. Vacuum burners.
  - C. Check orifices. Drilled passageways must be free of lint or dirt.
  - D. Vacuum tip of Pilot Burner.
  - E. Clean combustion chamber by vacuuming. Exercise care not to damage base insulation.
  - F. Install burners by reversing procedure used to remove burners. Make sure burner with pilot assembly is in same location as original installation.
5. Inspect Water Piping.
  - A. Check all system piping for leaks.
  - B. Repair any leaks before placing back into service.
6. Inspect Temperature/Pressure Gauge.
  - A. Water temperature needle should move with variation in water temperature.
  - B. Pressure needle should move with variation in pressure.
  - C. Replace gauge if needed.
7. Operate Safety Relief Valve.
  - A. When manually operating relief valve, water will discharge. Take precautions to avoid contact with hot water and avoid water damage. Inspect relief valve and lift lever to verify flow.
  - B. If relief valve leaks or will not seat properly, replace relief valve.
8. Inspect Gas Piping.
  - A. Sniff around boiler area for indication of gas leak.
  - B. Locate leaks using approved gas detector, a non corrosive leak detector fluid or other approved leak detection methods.
  - C. Repair any leaks before placing back into service and retest.
9. Inspect Air Openings.
  - A. Keep boiler area clear of combustible materials.
  - B. Remove any obstructions in boiler room that will hinder flow of combustion and ventilation air and dilution air.
10. Follow Section 11 instructions to put boiler back into operation.
11. Check CO detector operation (if available).
12. Lubrication. There are no parts requiring lubrication by service technician or owner. Circulator bearings are water lubricated.
13. If remodeling has occurred, verify combustion air supply is adequate.

### WARNING

Be careful handling pilot tubing. Do not crimp or crack pilot tube. Leaking pilot tubing could result in serious injury, or substantial property damage.

Check burners to see that they are located properly in slot at rear of burner tray. Reinstall burner access panel. Reconnect flame roll-out switch wires, pilot gas supply, and pilot lead.

- G. Connect pilot gas supply, igniter/sensor wire, and ground wire at Boiler Control.
- H. Install Burner Access Panel. Connect Flame Rollout Switch wires.

### DANGER

#### Explosion Hazard.

Do not use matches, candles, open flames, or other ignition sources to check for leaks. Failure to comply could result in severe personal injury, death, or substantial property damage.

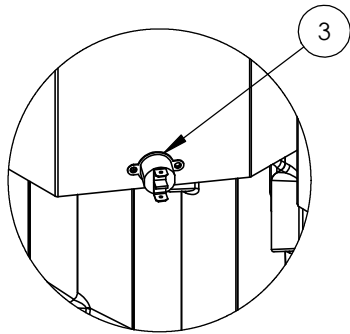
## 14 How It Works

1	HydroStat 4200 Control	Economy thermal targeting feature saves fuel by adjusting boiler water temperature based on heating demand. Thermal pre-purge feature saves fuel by delaying burner start when residual heat is available in boiler.
		When thermostat calls for heat, control module starts system circulator, checks safety limits, and activates vent damper.
		Control has 2 demand inputs and 2 circulator output connections. These can be configured for single zone & indirect water heater or 2 zone system.
		When vent damper is opened completely, control module opens pilot valve and activates ignition spark.
		Control module will sense pilot flame. Once pilot flame is established, control module opens gas valve and main burners will ignite.
		When thermostat is satisfied, control module turns off gas valve, deactivates damper, and deactivates circulator.
		Control module indicates boiler status and returns error codes if applicable. See "Troubleshooting" for guidance with error codes.
2	Transformer	Control transformer reduces line voltage to 24 volts for gas valve and safety limit circuit.
3	Draft Hood	Provides adequate dilution air and ensures proper draft for boiler operation.
	Blocked Vent Switch	If vent becomes blocked, switch will open (requiring manual reset) and cause burners to shut down.
4	Flame Roll-Out Switch	If flames roll out of burner tubes, switch will open (requiring replacement) and cause burners to shut down. If switch trips, determine cause of flame roll-out.
5	Gas Valve	Regulates gas flow to boiler.
6	Pilot	Provides ignition source for burner lighting.
7	Vent Damper	Closes during off cycles to reduce heat loss from house to vent.

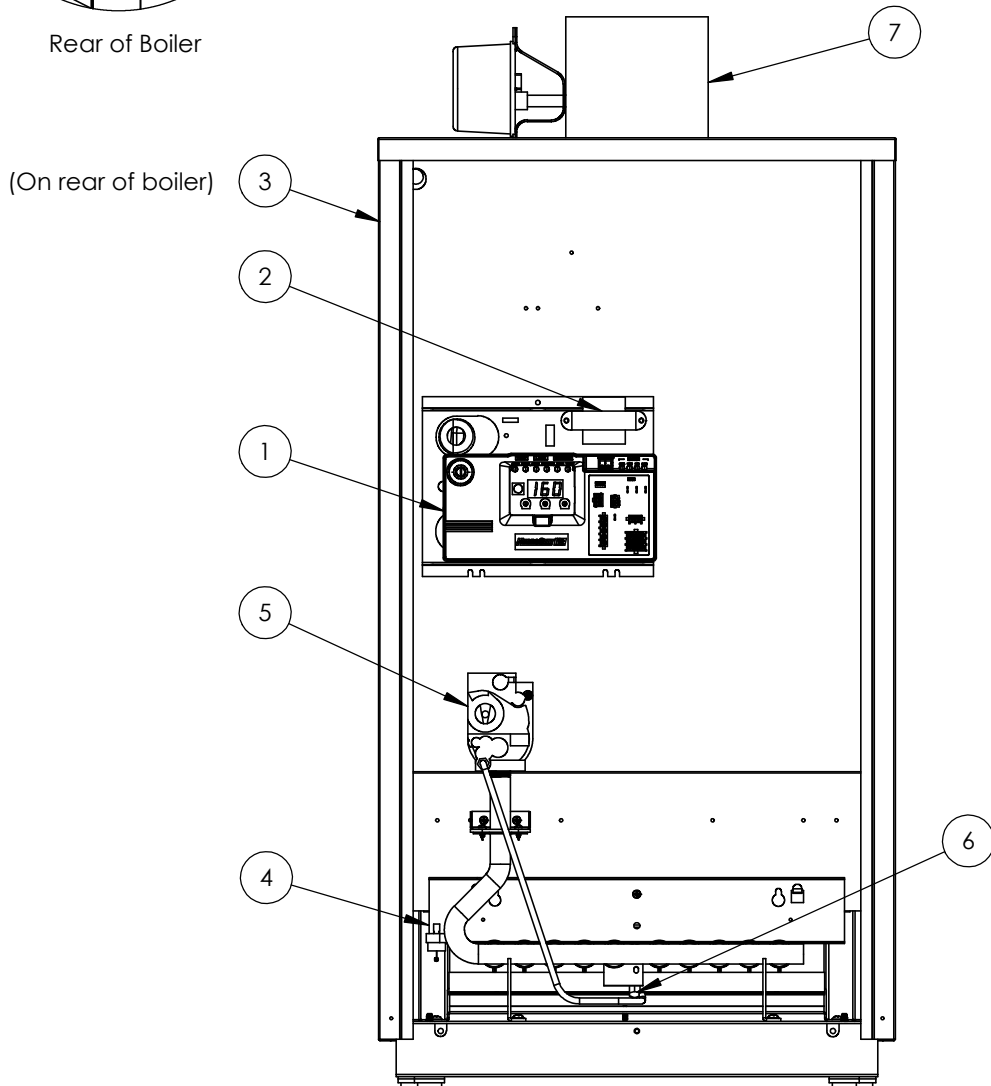
### WARNING

- An open blocked vent switch is indicative of a problem with the vent system. If blocked vent switch opens, the cause of the venting problem must be found and corrected by a qualified installer, service agency, or gas supplier before the blocked vent switch is reset.
- An open flame rollout switch is usually indicative of a plugged heat exchanger. Cause of the flame rollout must be found and corrected by a qualified installed, service agency, or gas supplier, and switch replaced with an identical one, before the boiler is returned to operation.

# 14 How It Works *(continued)*



Rear of Boiler





# 15 Troubleshooting

## 1. Before Troubleshooting.

When using troubleshooting tables, keep in mind:

- A. Troubleshooting should be completed by a professional heating technician.
- B. Before seeking technical assistance, the servicing technician should have a electrical meter and gas pressure gauge available for use.
- C. Check electrical connections on boiler before proceeding (see Figure 9-1 and Figure 9-2).
  - i. Ensure 120 VAC power polarity is correct, and boiler is properly grounded.
  - ii. Ensure control power supply 24 VAC (minimum 18 VAC - maximum 30 VAC) polarity is correct.
- D. Controls are tested during manufacturing process. Defective control is least likely cause of failure.
- E. When checking voltage across wiring harness, be careful not to insert meter probes into pins. Doing so may damage pin, resulting in loose connection when harness is reconnected.

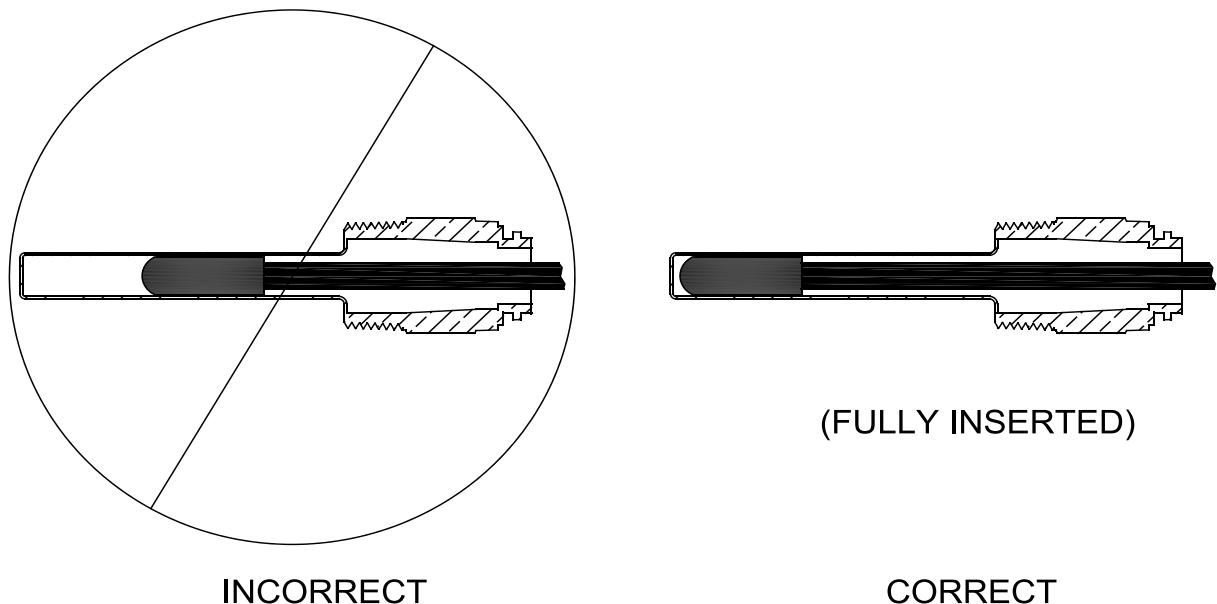


Figure 15-1: Limit Sensor Position

# 15 Troubleshooting *(continued)*

2. See Troubleshooting Tables 15-2 and 15-3. See also troubleshooting information in HydroStat 4200 manual.

**Table 5-2: Troubleshooting Chart (1 of 2)**

Condition	Recommended Corrective Action
No "dot" at bottom-right corner of 7-Segment Display	No call for heat. Check thermostat(s) and thermostat leads.
Ⓡ Red Low Water LED is On or Blinking	<b>⚠ WARNING</b>
	Do not add water to a hot boiler. Allow the boiler to fully cool before adding water. <ul style="list-style-type: none"> <li>• LOW WATER light ON - Low water condition detected.</li> <li>• LOW WATER light BLINKING - Control is set to Manual Reset and is locked out. After low water condition is resolved, press TEST/SETTINGS button to reset.</li> <li>• If the light is on and heating system is filled with water: <ul style="list-style-type: none"> <li>• Verify sensor is fully inserted in well. See Figure 15-1.</li> <li>• Remove sensor from well and inspect. Verify metal clip protrudes sufficiently to contact inside of well tube. Check that well does not have excessive residue build-up of heat transfer grease that may interfere with the clip contacting the well.</li> <li>• Remove well and examine for excessive residue build-up. Clean and re-install.</li> </ul> </li> </ul>
Ⓢ Green <u>Limit</u> LED is Blinking	Check: <ul style="list-style-type: none"> <li>• Blocked Vent Switch (Spill Switch). Manual Reset. Check for blockage or draft issue in vent system.</li> <li>• Roll-out Switch. Single Use. Check for blockage in heat exchanger.</li> </ul>
Ⓢ Green <u>Vent Damper</u> Switch LED is Blinking	Check Vent Damper is open fully. Check harness and connections.
Ⓢ Green <u>Flame</u> LED is Blinking or Off.	Flame LED is On when Control has powered main burners, blinks during 5 minute wait between 75 sec ignition attempts. See Ignition System troubleshooting table below.
Insufficient Heat, Ⓢ Yellow <u>Economy</u> LED is On	Water temperature has reached the Economy setpoint. Reduce Economy setting. See HydroStat 4200 manual.
Insufficient Heat, Ⓢ Yellow <u>Hi Temp</u> LED is On	Water temperature has reached High Limit setpoint. Check: <ul style="list-style-type: none"> <li>• For air-bound radiators.</li> <li>• Thermostat settings including heat anticipator settings (common on non-digital thermostats).</li> </ul>
All LED Lights and Display Blink Alternately	Control has sensed water temperature of 250°F. Control pulses burner relay and then shuts down and locks out the burner until temperature falls below 210°F. Determine cause of high water temperature. <ul style="list-style-type: none"> <li>• Check sensor is fully inserted into well.</li> <li>• Check system wiring and operation and high limit setting.</li> <li>• Replace control.</li> </ul>
Snr in Display	Sensor error. Check sensor connection or replace sensor.

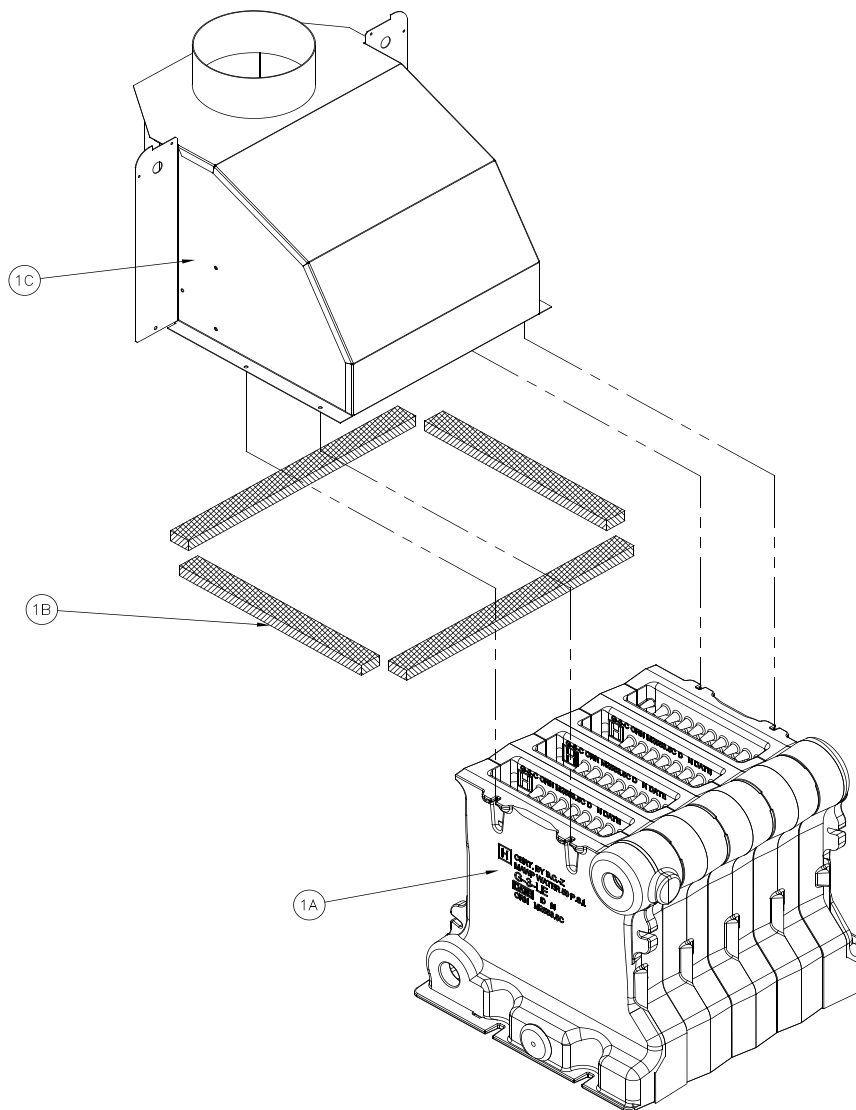
# 15 Troubleshooting *(continued)*

**Table 5-2: Troubleshooting Chart (2 of 2)**

Condition	Recommended Corrective Action
<b>No Spark</b>	<p>Can you hear sparking at pilot, or sparking at control with ignition wire disconnected? Display will show the ignition trial number.</p> <ul style="list-style-type: none"> <li>- If there is not spark noise, replace the control.</li> </ul> <p>If you can hear spark noise, check following:</p> <ul style="list-style-type: none"> <li>- Loose connection in ignition cable or ground wire</li> <li>- Continuity of ignition cable</li> <li>- Break in ignition cable insulation</li> <li>- Loose ground connection</li> <li>- Break in pilot ceramic insulator</li> <li>- Incorrect pilot spark gap</li> </ul>
<b>No Pilot Flame</b>	<p>Check:</p> <ul style="list-style-type: none"> <li>- All manual gas valves are open</li> <li>- Supply tubing is not plugged, kinked or leaking</li> <li>- Gas line pressures are good</li> <li>- Gas line is purged of air. It may be necessary to recycle "call for heat" more than once to clear pilot supply tubes of air.</li> <li>- Pilot orifice is not plugged (pilot gas is flowing)</li> <li>- Condensate quenching pilot</li> </ul> <p>If no gas flow, check following:</p> <ul style="list-style-type: none"> <li>- 24 volts across PV and MV/PV at gas valve. If voltage ok, replace defective gas valve</li> <li>- Check for break in wiring harness to gas valve</li> <li>- 24 volts across control connector J7-2 and J7-5. If no voltage at control, replace defective control</li> </ul>
<b>Spark does not Stop When Pilot Lights</b>	<p>Check:</p> <ul style="list-style-type: none"> <li>- Loose connection in ignition cable or ground wire</li> <li>- Continuity of ignition cable</li> <li>- Clean flame rod</li> <li>- Pilot electrode porcelain cracked</li> <li>- Pilot flame covers flame rod and is steady and blue, if not, adjust pilot flame</li> <li>- Low gas pressure at gas valve inlet</li> <li>- Defective control</li> </ul>
<b>Only Pilot Lights, No Main Flames</b>	<p>Check:</p> <ul style="list-style-type: none"> <li>- Check orifice size and/or blockage</li> <li>- 24 volts across control terminals J7-8 and J7-5. If no voltage during ignition, defective control.</li> <li>- 24 volts across MV and MV/PV at gas valve? Check for break in wiring harness to gas valve.</li> <li>- Defective gas valve</li> </ul>
<b>Main Flames do not Stay Lit</b>	<p>Check:</p> <ul style="list-style-type: none"> <li>- Flame current in Display menu. Minimum 1.0 <math>\mu</math>A with pilot only, 2.0 <math>\mu</math>A with main burners.</li> <li>- Pilot flame covers flame rod and is steady and blue, if not, adjust pilot flame.</li> <li>- Low gas pressure at gas valve inlet.</li> <li>- Clean flame rod.</li> </ul>

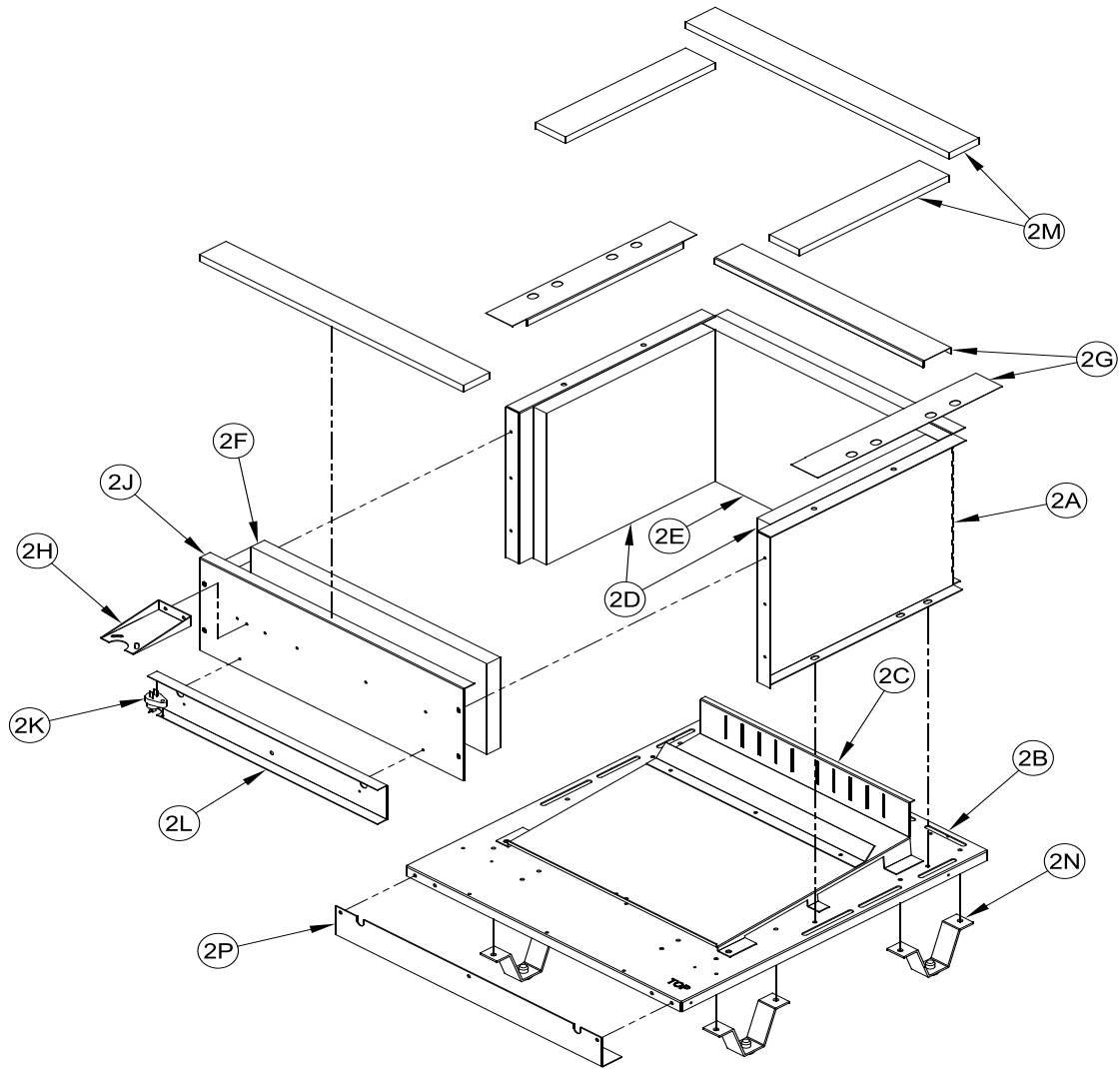
## 16 Service Parts

Service parts are available from your local PB Heat, LLC distributor or from Parts To Your Door at 1 (610) 916-5380 ([www.partstoyourdoor.com](http://www.partstoyourdoor.com)).



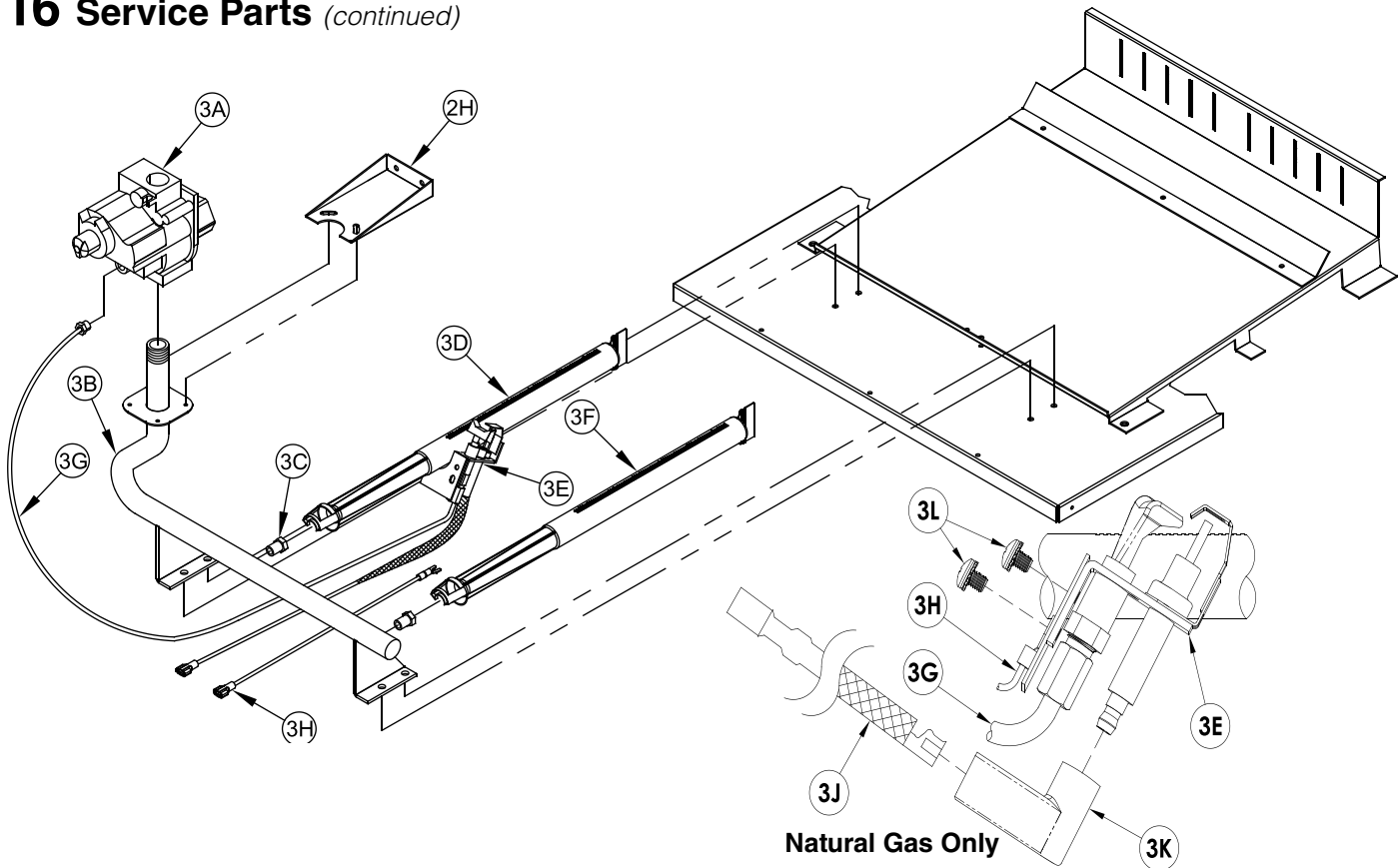
Key No.	Description	Part Number [Quantity]						
		MI-x-03	MI-x-04	MI-x-05	MI-x-06	MI-x-07	MI-x-08	MI-x-09
1A Not Shown	Block Assembly	MIX001 [1]	MIX002 [1]	MIX003 [1]	MIX004 [1]	MIX005 [1]	MIX006 [1]	MIX007 [1]
1B Not Shown	Flue Collector Gasket 1/2 in. X 1-1/4 in. X 10 ft.	MIX008						
1C Not Shown	Flue Collector/Drafthood	MIX009 [1]	MIX010 [1]	MIX011 [1]	MIX012 [1]	MIX013 [1]	MIX014 [1]	MIX015 [1]
Not Shown	Blocked Vent Switch, 200°F, 0-5,400 ft. (see Figure 6-1)	BVS200						
Not Shown	Blocked Vent Switch, 180°F, 5,401 ft. - 10,000 ft. (see Figure 6-1)	BVS180						

# 16 Service Parts *(continued)*



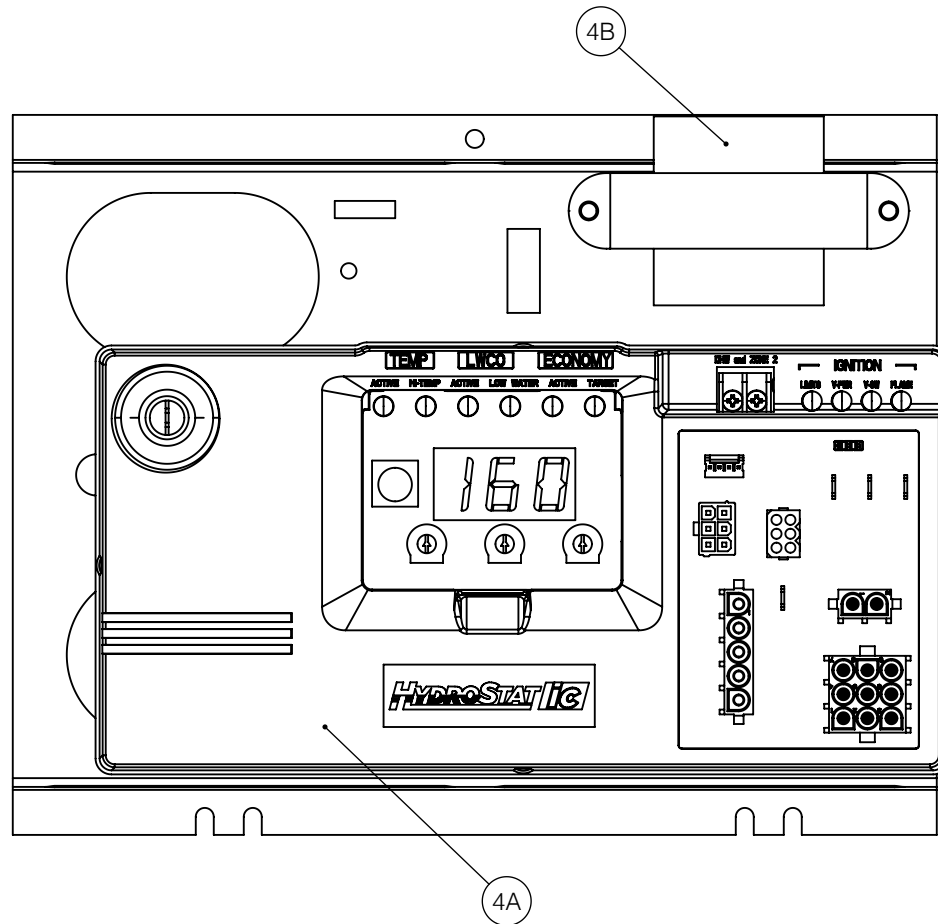
Key No.	Description	Part Number [Quantity]							
		MI-x-03	MI-x-04	MI-x-05	MI-x-06	MI-x-07	MI-x-08	MI-x-09	
2	Base Assembly								
2A	Base Wrapper								
2B	Base Tray								
2C	Burner Tray								
2D	Base Side Insulation								
2E	Base Rear Insulation								
2F	Base Front Insulation	(Nat Gas) MIX017 [1]	(Nat Gas) MIX018 [1]	(Nat Gas) MIX019 [1]	(Nat Gas) MIX020 [1]	(Nat Gas) MIX021 [1]	(Nat Gas) MIX022 [1]	(Nat Gas) MIX023 [1]	
2G	Drip Shields								
2H	Manifold Support Bracket								
2J	Base Front Panel								
2K	Flame Rollout Switch 240°C Setpoint								
2L	Burner Access Panel								
2P	Front Air Dam								
2K	Flame Rollout Switch 240°C Setpoint					FRS240 [1]			
2M	Base Gasket 1/2 in. X 2-1/4 in. X 10 ft.							MIX025 [1]	

# 16 Service Parts *(continued)*



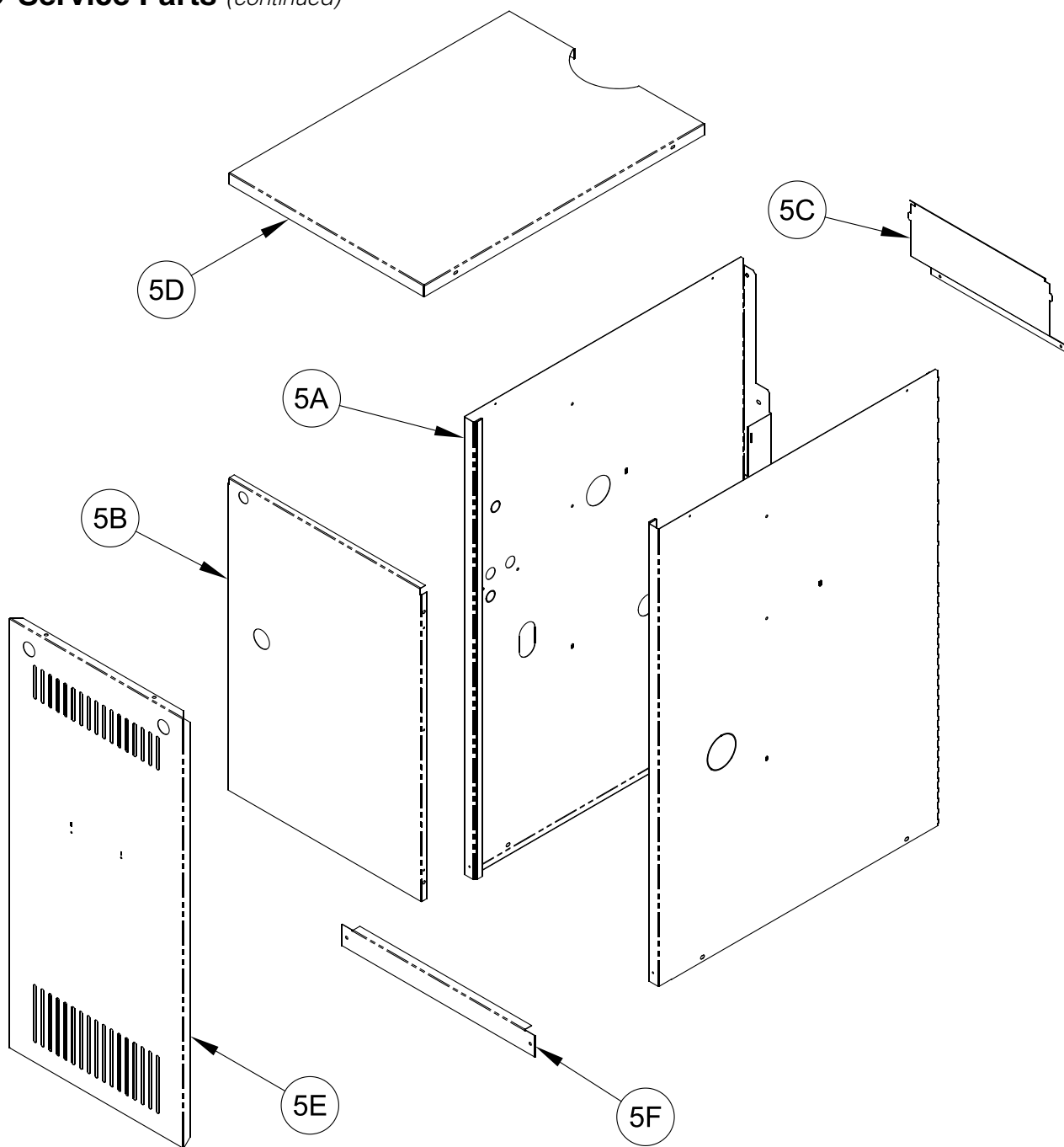
Key No.	Description	Part Number [Quantity]						
		MI-x-03	MI-x-04	MI-x-05	MI-x-06	MI-x-07	MI-x-08	MI-x-09
3A	Gas Valve, Natural Gas, 1/2 in. X 1/2 in. VR8204C3007	MIX026 [1]				N/A		
	Gas Valve, Natural Gas, 3/4 in. X 3/4 in. VR8304P4496	N/A				MIX027 [1]		
	Gas Valve, LP, 1/2 in. X 1/2 in. VR8204C3015	MIX028 [1]				N/A		
	Gas Valve, LP, 3/4 in. X 3/4 in. VR8304P4314	N/A				MIX029 [1]		
3B	Gas 1/2 Manifold	MIX030 [1]	MIX031 [1]	MIX032 [1]	MIX033 [1]	N/A		
	Gas 3/4 Manifold	N/A				MIX034 [1]	MIX035 [1]	MIX036 [1]
3C	Orifice, Natural Gas, 0-5,400 ft.	#47 MIX037 [1] (16 orifices)						
	Orifice, LP Gas, 0-5,400 ft.	1.20 mm MIX038 [1] (16 orifices)						
	Orifice - Natural Gas, 5,401-10,100 ft.	#48 MIX068 [1] (16 orifices)						
	Orifice - LP Gas 5,401-10,100 ft.	#56 MIX069 [1] (16 orifices)						
3D	Burner with Pilot Bracket	MIX039 [1]						
3E	Pilot Assembly, Natural Gas, Q345	MIX040 [1]						
	Pilot Assembly, LP Gas, Q3481	MIX041 [1]						
3F	Burner, Main - 3 burners per kit	MIX042 [1]	MIX042 [2]	MIX042 [3]	MIX042 [3]	MIX042 [4]	MIX042 [5]	MIX042 [5]
3G	Pilot Tubing, 1/4 in. OD 30 in. Length, Aluminum	MIX043 [1]						
3H	Pilot Ground Wire 36 Length, 200°C Coating	MIX044 [1]						
3J	Ignition Cable/Boot - Natural Gas Only	Available with 3E						
3K	Ignition Cable Boot - Natural Gas Only							
3L	Machine Screw, 10-32 x 1/4 in. with External Tooth Washer	Source Locally Natural Gas [2], LP Gas [1]						

# 16 Service Parts *(continued)*



Key No.	Description	Part Number [Quantity]						
		MI-x-03	MI-x-04	MI-x-05	MI-x-06	MI-x-07	MI-x-08	MI-x-09
4A	Boiler Control (Gas) Hydrolevel 4200, w/ sensor				MIX045	[1]		
4B	24 VAC Transformer 40VA				MIX046	[1]		
4C	Limit Sensor 12 inches long				MIX047	[1]		

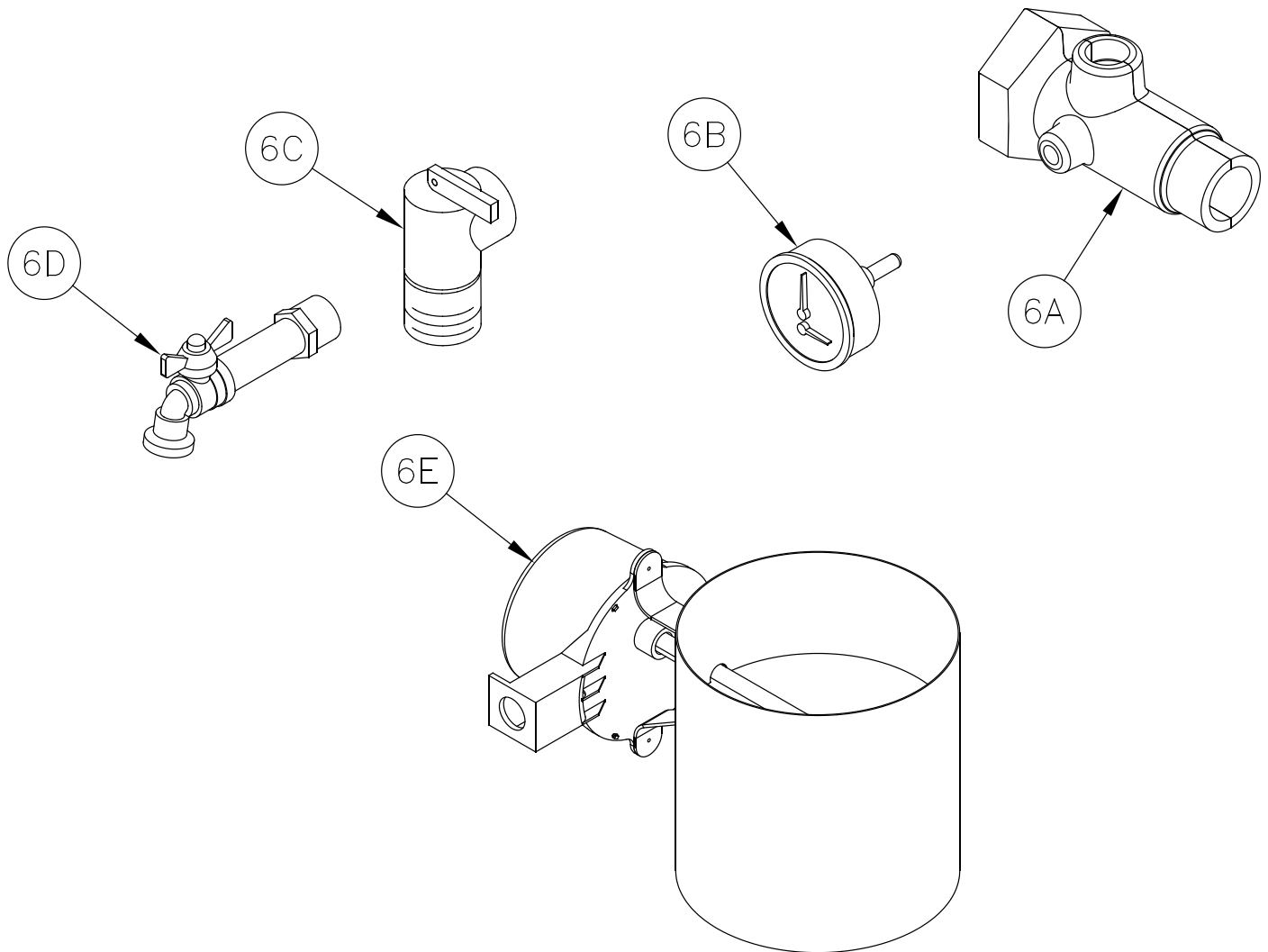
# 16 Service Parts *(continued)*



Key No.	Description	Part Number [Quantity]						
		MI-x-03	MI-x-04	MI-x-05	MI-x-06	MI-x-07	MI-x-08	MI-x-09
5	Jacket Set	MX048 [1]	MX049 [1]	MX050 [1]	MX051 [1]	MX052 [1]	MX053 [1]	MX054 [1]



# 16 Service Parts *(continued)*



Key No.	Description	Part Number [Quantity]						
		MI-x-03	MI-x-04	MI-x-05	MI-x-06	MI-x-07	MI-x-08	MI-x-09
6A	Manifold, Water Relief/Temp-Press Gauge	MX055 [1]						
6B	Temperature/Pressure Gauge	MX056 [1]						
6C	Safety Valve, 30 PSI	MX057 [1]						
6D	Drain Valve	Obtain Locally (3/4 in. NPT boiler connection)						
6E	Vent Damper	GVD04 [1]	GVD05 [1]	GVD06 [1]	GVD07 [1]	GVD07 [1]	GVD08 [1]	
Not Shown	Taco 007 Circulator	Obtain Locally						

# 16 Service Parts *(continued)*

7A



7B



Key No.	Description	Part Number [Quantity]						
		MI-x-03	MI-x-04	MI-x-05	MI-x-06	MI-x-07	MI-x-08	MI-x-09
7A	Power Supply Harness	MIX058 [1]						
7B	Main Control Harness	MIX060 [1]						

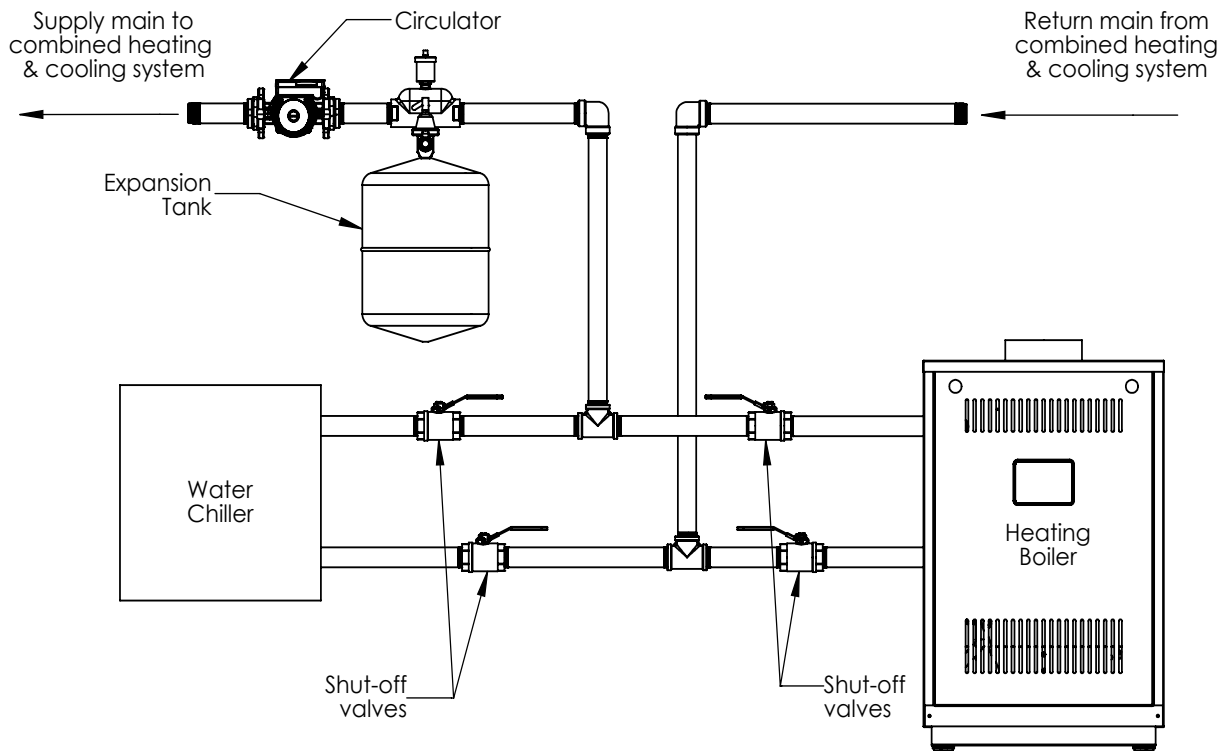
### Gas Conversion Kits\*:

Key No.	Description	Part Number [Quantity]						
		MI-x-03	MI-x-04	MI-x-05	MI-x-06	MI-x-07	MI-x-08	MI-x-09
Not Shown	Natural Gas to LP	MIX061			MIX062			
Not Shown	LP to Natural Gas	MIX063			MIX064			

\* High Altitude Conversion Kit also required if converting fuel type at altitudes above 5,400 ft. See Appendix.

## Appendix A Combination Refrigeration/ Heating System

1. If boiler is used in connection with refrigeration systems, boiler must be installed with chilled medium piped in parallel with the heating boiler using appropriate valves to prevent chilled medium from entering boiler. See Figure A-1. Also consult Residential Hydronic Heating Installation and Design I=B=R Guide.
2. If boiler is connected to heating coils located in air handling units where they may be exposed to refrigerated air, boiler piping must be equipped with flow control valves or other automatic means to prevent gravity circulation of boiler water during operation of cooling system.



**Figure A-1: Isolated Boiler from Refrigeration System**

## Appendix B Water Quality and Boiler Additives

The heat exchanger used in this boiler is made from cast-iron. Once filled with water, it will be subjected to effects of corrosion as well as fouling from any debris introduced from the system. Take the following precautions to minimize chance of severe heat exchanger damage caused by corrosion and/or overheating.

### 1. Flush system before connecting boiler.

In a replacement installation, flushing system will remove impurities, such as sediment, solder flux, metal shavings and traces of old boiler additives. Even if system is new, do not omit this step – new systems will contain flux and may even contain other impurities listed above.

Flush system completely and repeat if necessary to completely remove these contaminants. If necessary, a cleaning agent may be used to assist in system cleaning. See Section 10 Start-up and Checkout for recommended cleaners.

### 2. Make sure the system is tight-

this is the single most important guideline.

Tap water contains dissolved oxygen which causes corrosion. In a tight system, this oxygen comes out of solution and is quickly removed from system through automatic air vent. System then remains essentially free of oxygen.

If system is not tight, however, frequent additions of make-up water can expose heat exchanger to oxygen on a continuous basis. In addition, frequent additions of hard make-up water can cause calcium deposits to collect in heat exchanger, causing severe damage. To minimize additions of make-up water.

- A. Inspect system thoroughly for leaks before putting it into service.
- B. If system includes underground piping or other piping in which a leak might go undetected, consider isolating boiler from the system with a heat exchanger.
- C. Make sure expansion tank is properly sized and in good condition, if it is not, safety relief valve may open frequently, resulting in regular additions of make-up water.
- D. If an automatic fill valve is installed, installation of a water meter in fill line is strongly recommended so routine additions of make-up water can be detected and their cause corrected.

3. **Non-metallic tubing** - even if system is tight, oxygen can be introduced into system through some types of non-metallic tubing used in radiant or snow melt systems.

Other non-metallic tubing is equipped with an oxygen barrier to prevent migration of oxygen into water. If boiler is to be installed in a system containing non-metallic tubing without an oxygen barrier, it must be isolated from boiler with a heat exchanger.

4. Water chemistry, antifreeze, and boiler water additives – improper boiler water chemistry can cause the heat exchanger damage described above, as well as deterioration.
5. Avoid use of petroleum based boiler additives and ester-based oils/lubricants. These can attack seals in both boiler and system.

### Freeze Protection

If this freeze protection is required, use the following or its equivalent:

- A. Fernox Alpha-11
- B. Sentinel X500 Inhibited Polypropylene Glycol

1. Refer to antifreeze manufacturer's instructions for required dosage. In general these products are a blend of glycol (for freeze protection) and inhibitors (to protect glycol from attacking metallic system components).
2. Do not add any more antifreeze than is necessary to protect system from freeze damage.
3. Maximum antifreeze concentration 50%.
4. Test antifreeze and inhibitor concentration annually.
  - A. Inhibitor concentration test kit for Fernox Protector F1, 25 tests per kit. P/N 101148-01.
  - B. Inhibitor, Fernox Protector F1, 1 pint (500 mL) P/N 101147-01.
5. Allowance must be made for additional expansion of glycol solution.
6. Fernox products are available from:  
Alent PLC Consumer Products Division  
4100 6th Avenue  
Altoona, PA 16602  
Tel: (972) 547-6002  
Email: fernox\_usa@alent.com
7. Sentinel products are available from:  
Douglas Products and Packaging  
1550 E. Old 210 Highway  
Liberty, MO 64068  
Tel: (877) 567-2560 (Toll Free) and/or selected HVAC distributors

## Appendix C High Altitude Installations

Conversion kits are required for installations above 5,400 ft.

### WARNING

#### Asphyxiation Hazard.

Proper operation of boiler depends upon use of correct burner orifice and blocked vent switch for fuel and altitude at which boiler is installed. Failure to properly configure this boiler to correct fuel or altitude could result in serious injury or property damage.

Special consideration must be given to boiler installations at high altitudes:

- Gas input rate must be reduced 2.5% per 1,000 ft. for altitudes above 2,000 ft.
- For altitudes 2,000 ft. - 5,400 ft., natural derate reduction as altitude increases is sufficient. No conversion kits are required.
- Above 5,400 ft., this derate is accomplished through use of smaller main burner orifice and a lower temperature blocked vent switch.
- Conversion kit part numbers are shown in Table C-1.
- Input rates at altitudes are shown in Table C-2.
- If also converting fuel type, gas conversion kits are required in order to convert gas valve and pilot assembly. See Gas Conversion Kit table in Service Parts section.

**Table C-1: High Altitude Conversion Kits**

Elevation	Model	Number of Sections						
		3	4	5	6	7	8	9
5,401 - 10,000 ft.	Nat Gas	MIX066						
	LP Gas	MIX067						

Included with kits listed in above table:

- Blocked vent switch: 180°F set-point (Green Mark)
- Orifices: Natural Gas: - #48; LP Gas - #56
- Conversion label

**Table C-2: Reduced Input Rates**

Section Size	Rating Label	Max. Input (MBH)*									
		2,000 ft.	3,000 ft.	4,000 ft.	5,000 ft.	5,401 ft.	6,000 ft.	7,000 ft.	8,000 ft.	9,000 ft.	10,100 ft.
3	70	66.5	65.0	63.0	61.5	60.5	59.5	58.0	56.0	54.5	52.5
4	105	100.0	97.0	94.5	92.0	91.0	89.5	86.5	84.0	81.5	78.5
5	140	133.0	129.5	126.0	122.5	121.0	119.0	115.5	112.0	108.5	104.5
6	175	166.5	162.0	157.5	153.0	151.5	149.0	144.5	140.0	135.5	131.0
7	210	199.5	194.5	189.0	184.0	181.5	178.5	173.5	168.0	163.0	157.0
8	245	233.0	226.5	220.5	214.5	212.0	208.5	202.0	196.0	190.0	183.0
9	280	266.0	259.0	252.0	245.0	242.0	238.0	231.0	224.0	217.0	209.5

\* Approximate 2.5% derate per 1,000 ft.





# Series MI-x

## Gas Boilers

MI-x-03 MI-x-04 MI-x-05 MI-x-06  
MI-x-07 MI-x-08 MI-x-09

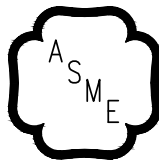
## Installation, Operation & Maintenance Manual

**TO THE INSTALLER:**

*This manual is the property of the owner and must be affixed near the boiler for future reference.*

**TO THE OWNER:**

*This boiler should be inspected annually by a Qualified Service Agency.*



H



Intertek  
9700609



TM

PeerlessBoilers.com

**PB HEAT, LLC**

131 S. CHURCH STREET • BALLY, PA 19503