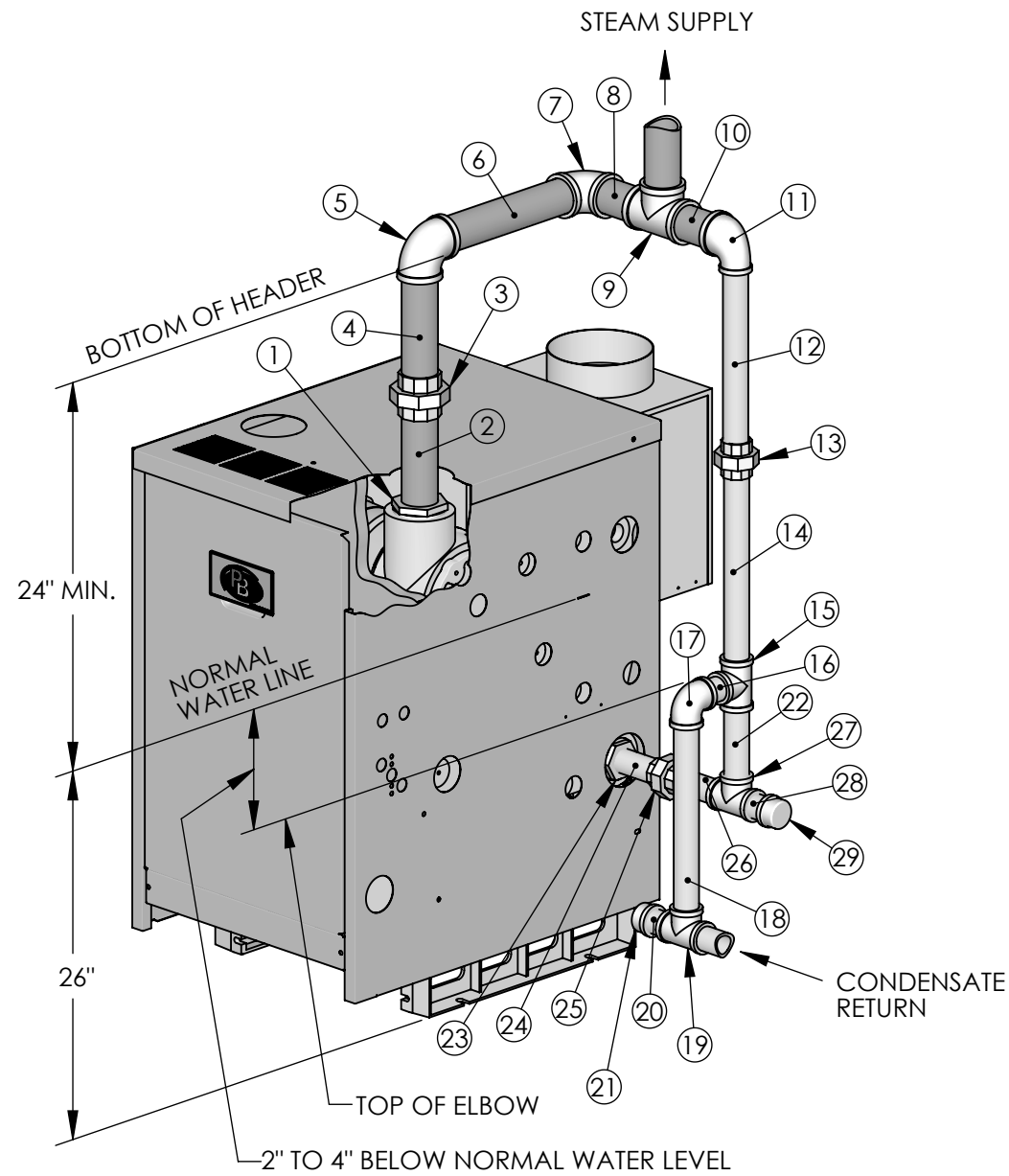


REVISION

3	ECN NO.:	4443
	DRN/DATE:	EAV 3-4-26

64-07 (WAS) 64-e-07

LITERATURE SHEET FOR 63/64 NEAR BOILER PIPING: MODELS 63-03L THRU 64-07



ITEM NO.	DESCRIPTION	MODELS		
		63-03 & 03L	63-04 & 04L	63-05, 05L, 06 & 64-07
1	BUSHING	3 X 2	3 X 2-1/2	N/A
2	NIPPLE	2 X 8	2-1/2 X 9	3 X 9
3	UNION	2	2-1/2	3
4	NIPPLE	2 X 8	2-1/2 X 8	3 X 8
5	ELBOW	2	2-1/2	3
6	NIPPLE	2 X 12	2-1/2 X 11-1/2	3 X 11
7	ELBOW	2	2-1/2	3
8	NIPPLE	2 X 4	2-1/2 X 4	3 X 4
9	TEE	2	2-1/2	3
10	NIPPLE	2 X 4	2-1/2 X 4	3 X 4
11	REDUCING ELBOW	2 X 1-1/4	2-1/2 X 1-1/4	3 X 1-1/2
12	NIPPLE	1-1/4 X 14	1-1/4 X 14	1-1/2 X 13
13	UNION	1-1/4	1-1/4	1-1/2
14	NIPPLE	1-1/4 X 14	1-1/4 X 14	1-1/2 X 14
15	TEE	1-1/4	1-1/4	1-1/2
16	NIPPLE	1-1/4 X 2-1/2 (SHORT)	1-1/4 X 2-1/2 (SHORT)	1-1/2 X 2-1/2 (SHORT)
17	ELBOW	1-1/4	1-1/4	1-1/2
18	NIPPLE	1-1/4 X 14	1-1/4 X 14	1-1/2 X 14
19	TEE	1-1/4	1-1/4	1-1/2
20	NIPPLE	1-1/4 X 2-1/2 (SHORT)	1-1/4 X 2-1/2 (SHORT)	1-1/2 X 2-1/2 (SHORT)
21	CAP	1-1/4	1-1/4	1-1/2
22	NIPPLE	1-1/4 X 6	1-1/4 X 6	1-1/2 X 6
23	BUSHING	2-1/2 X 1-1/4	2-1/2 X 1-1/4	2-1/2 X 1-1/2
24	NIPPLE	1-1/4 X 4-1/2	1-1/4 X 6	1-1/2 X 5-1/2
25	UNION	1-1/4	1-1/4	1-1/2
26	NIPPLE	1-1/4 X 4-1/2	1-1/4 X 4	1-1/2 X 5
27	TEE	1-1/4	1-1/4	1-1/2
28	NIPPLE	1-1/4 X 2-1/2 (SHORT)	1-1/4 X 2-1/2 (SHORT)	1-1/2 X 2-1/2 (SHORT)
29	CAP	1-1/4	1-1/4	1-1/2

PB HEAT LLC

SERIES 63/64 BOILER

LITERATURE SHEET FOR 63/64 NEAR BOILER PIPING KITS: MODELS 63-03L THRU 64-07

SCALE:	DRAWING NO.:	REV:
	TT-8122	3
ECN NO.: 3845	DRN / DATE: EAV 4-11-17	SIZE: B SHEET 1 OF 1

<p>THIS DOCUMENT CONTAINS PROPRIETARY INFORMATION OF PB HEAT LLC AND ITS RECEIPT OR POSSESSION DOES NOT CONVEY ANY RIGHTS TO DISCLOSE ITS CONTENTS, OR TO MANUFACTURE, USE, OR SELL ANYTHING IT MAY DESCRIBE. REPRODUCTION, DISCLOSURE OR USE WITHOUT SPECIFIC WRITTEN AUTHORIZATION OF PB HEAT LLC IS STRICTLY FORBIDDEN</p>	TOLERANCE (UNLESS OTHERWISE NOTED)	SIGNATURES	DATE
	FRACTIONAL ±1/32	CHK:	
	DECIMAL ±.015	ENG:	
	ANGULAR ±5°	QA:	
DO NOT SCALE THIS DRAWING - ALL DIMENSIONS ARE INCHES		MFG. APPD:	